



**MODEL** SUZUKI SV 650

**YEAR** 2004 - 2015

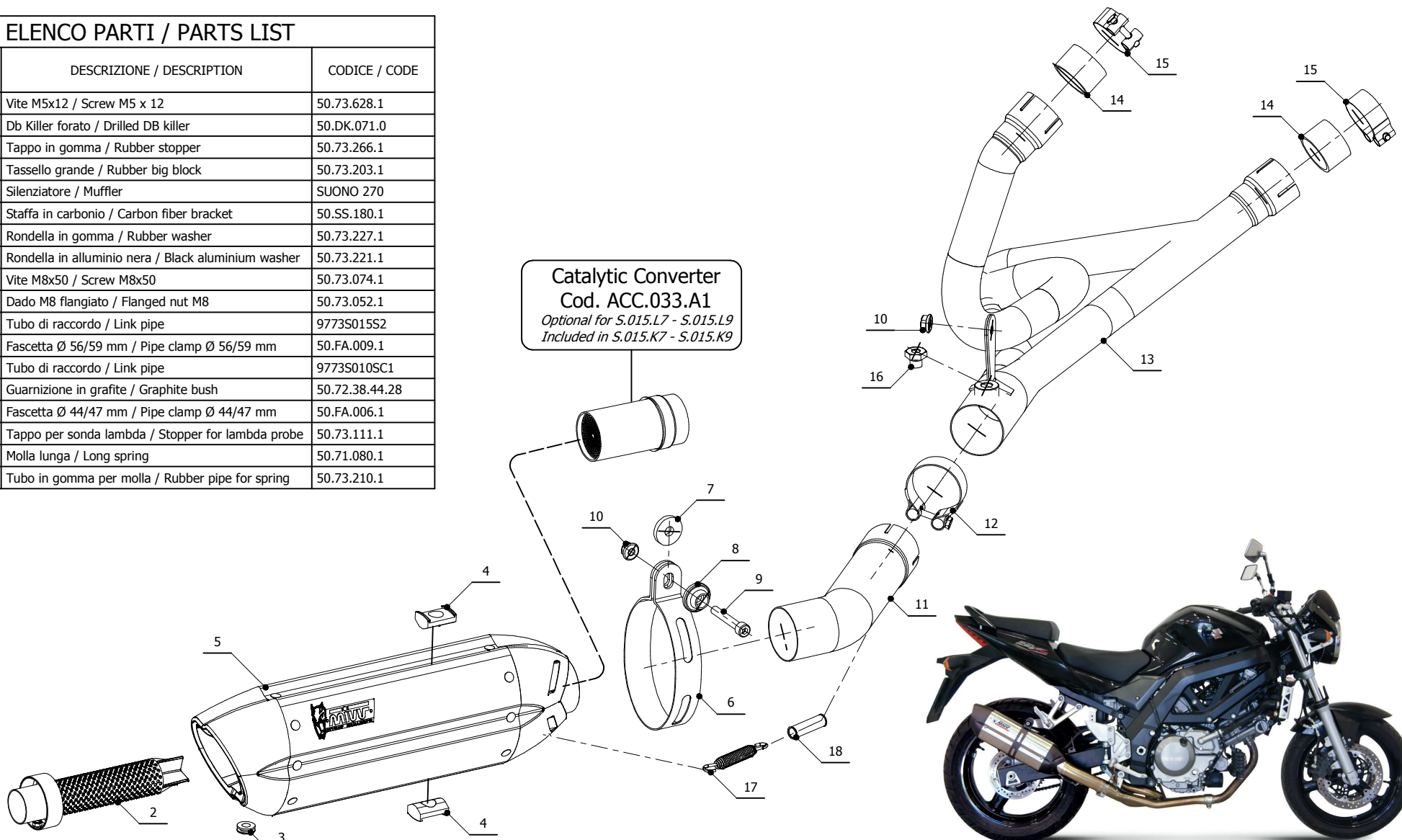
**LINE** SLIP ON

**MUFFLER** SUONO

**SCHEMATIC**

**ELENCO PARTI / PARTS LIST**

| #  | QTÀ / QTY | DESCRIZIONE / DESCRIPTION                           | CODICE / CODE  |
|----|-----------|---|----------------|
| 1  | 1         | Vite M5x12 / Screw M5 x 12                          | 50.73.628.1    |
| 2  | 1         | Db Killer forato / Drilled DB killer                | 50.DK.071.0    |
| 3  | 1         | Tappo in gomma / Rubber stopper                     | 50.73.266.1    |
| 4  | 2         | Tassello grande / Rubber big block                  | 50.73.203.1    |
| 5  | 1         | Silenziatore / Muffler                              | SUONO 270      |
| 6  | 1         | Staffa in carbonio / Carbon fiber bracket           | 50.SS.180.1    |
| 7  | 1         | Rondella in gomma / Rubber washer                   | 50.73.227.1    |
| 8  | 1         | Rondella in alluminio nera / Black aluminium washer | 50.73.221.1    |
| 9  | 1         | Vite M8x50 / Screw M8x50                            | 50.73.074.1    |
| 10 | 2         | Dado M8 flangiato / Flanged nut M8                  | 50.73.052.1    |
| 11 | 1         | Tubo di raccordo / Link pipe                        | 9773S015S2     |
| 12 | 1         | Fascetta Ø 56/59 mm / Pipe clamp Ø 56/59 mm         | 50.FA.009.1    |
| 13 | 1         | Tubo di raccordo / Link pipe                        | 9773S010SC1    |
| 14 | 2         | Guarnizione in grafite / Graphite bush              | 50.72.38.44.28 |
| 15 | 2         | Fascetta Ø 44/47 mm / Pipe clamp Ø 44/47 mm         | 50.FA.006.1    |
| 16 | 1         | Tappo per sonda lambda / Stopper for lambda probe   | 50.73.111.1    |
| 17 | 1         | Molla lunga / Long spring                           | 50.71.080.1    |
| 18 | 1         | Tubo in gomma per molla / Rubber pipe for spring    | 50.73.210.1    |



**APPLICAZIONI / APPLICATIONS**

| CODICE / CODE        | SILENZIATORE / MUFFLER   | TUBO / PIPE      | FASCETTA / CLAMP        | NOTE                                |
|----------------------|--|------------------|-------------------------|-------------------------------------|
| S.015.L7<br>S.015.L9 | INOX (COPPE CARBONIO) / ST. STEEL (CARBON CAPS)<br>STEEL BLACK | INOX / ST. STEEL | CARBONIO / CARBON FIBER | CATALYTIC CONVERTER<br>NOT INCLUDED |
| S.015.K7<br>S.015.K9 | INOX (COPPE CARBONIO) / ST. STEEL (CARBON CAPS)<br>STEEL BLACK | INOX / ST. STEEL | CARBONIO / CARBON FIBER | CATALYTIC CONVERTER<br>INCLUDED     |