

BF36 – BF36K

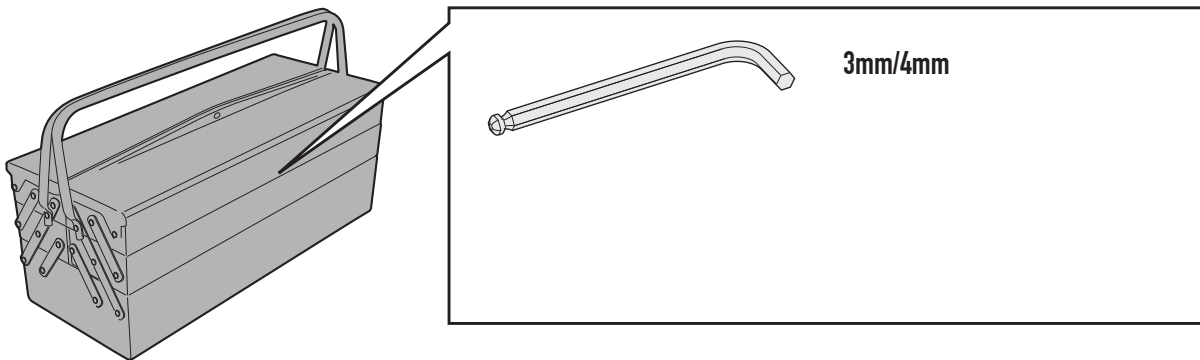
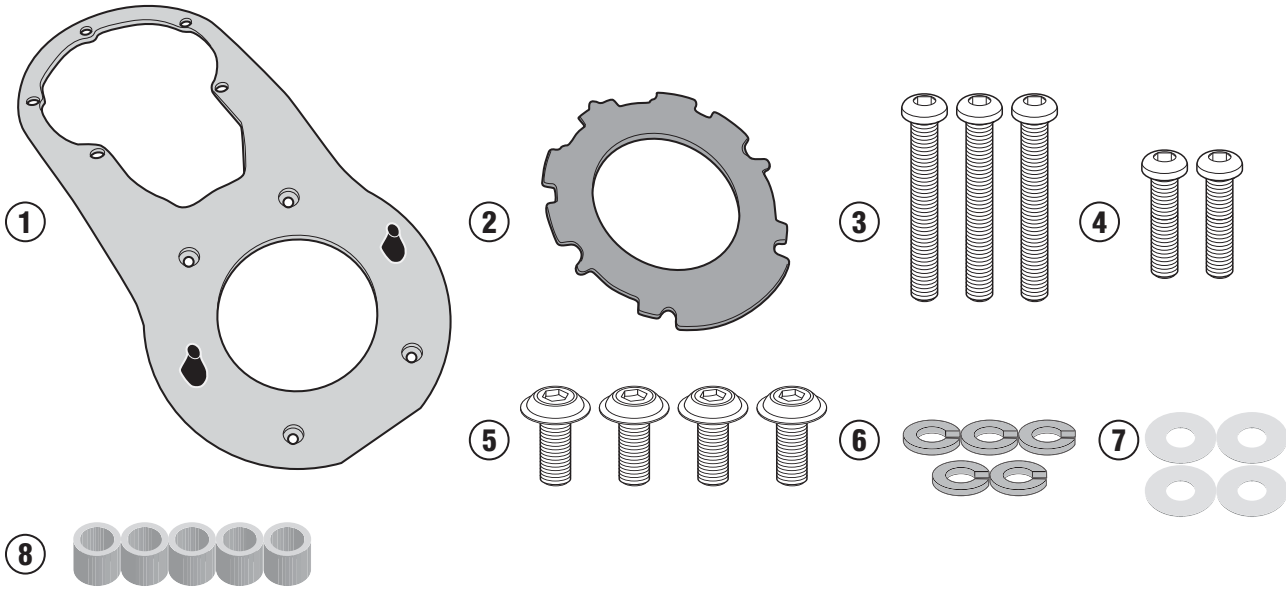
Flangia Specifica per borse Tanklock – Specific Carrier for Tanklock bags
Brides spécifiques pour Tanklock bagagerie souple – Tankringen für tanklock Weichtaschen
Aro específico para bolsa Tanklock

N°	Descrizione	Caratteristiche	Codice	Quantità
1	Supporto – Support – Support Halterung – Soporte – Apoio	-	GL3867V	1
2	Flangia – Support Brides – Tankringen – Aro – Anel	-	GL3868V	1
3	Vite – Screw Vis – Schraube Tornillo – Parafuso	TBEI M5x35	535TBEI	3
4	Vite – Screw Vis – Schraube Tornillo – Parafuso	TBEI M5X20	520TBEI	2
5	Vite – Screw Vis – Schraube Tornillo – Parafuso	TBEIFN M6X10	610TBEIFN	4
6	Rondella spaccata – Split washer Scheibe – Rondelle fendue Arandela seccionada – Arruela Dentada	Ø5	Z1049	5
7	Rondella In Nylon – Nylon Washer Rondelle Original En Nylon – Nylonscheibe Arandela De Nylon – Arruela De Nylon	Ø6	Z1979	4
8	Distanziale – Spacer Entretoise – Distanzstueck Distanciador	Ø9x8 foro 6,5mm	C9L8F6,5T	5
9	Componenti Originali – Original Parts Parties Originales – Original Bauteile Componentes Originales – Componentes Originais	-	-	-
10	Particolari inclusi nella borsa tanklock – Components included in the tanklock bag - Pièces incluses dans la tanklock bag – Teile inkludiert in der tanklock tasche – Compo- nente incluido na bolsa tanklock	-	-	-

ONLY MAX 5LT BAGS

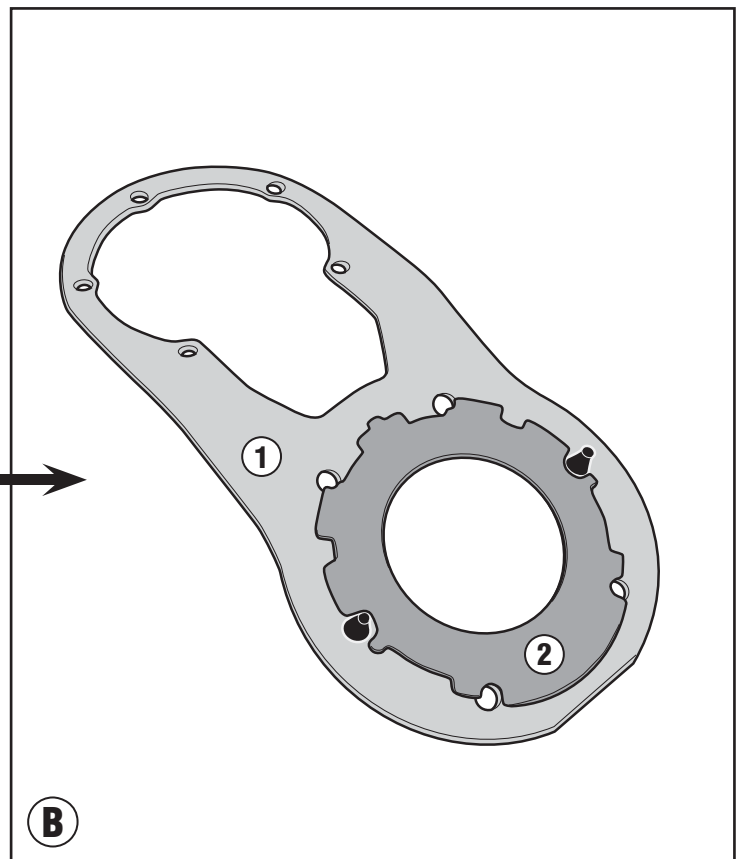
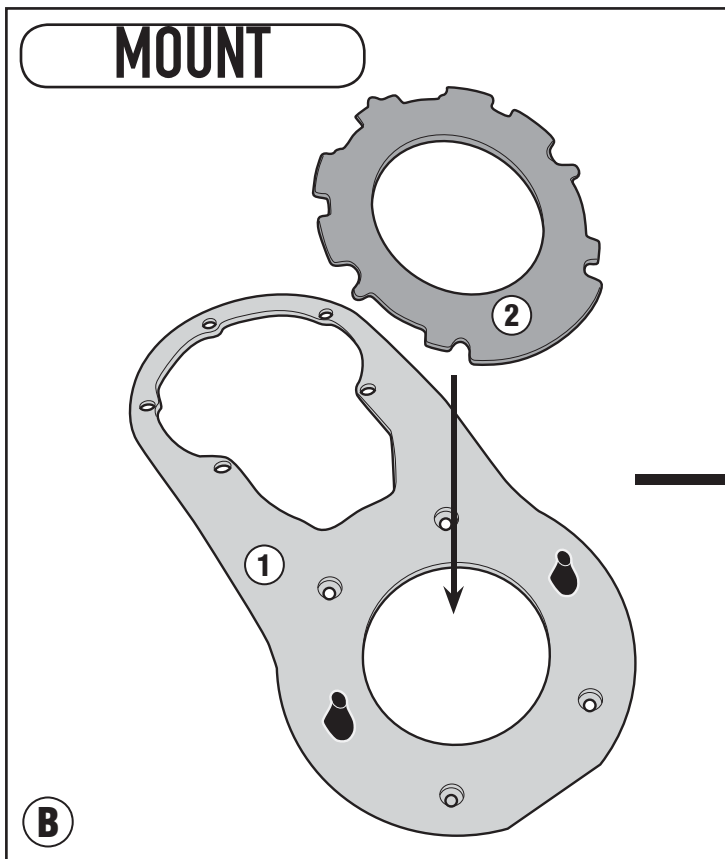
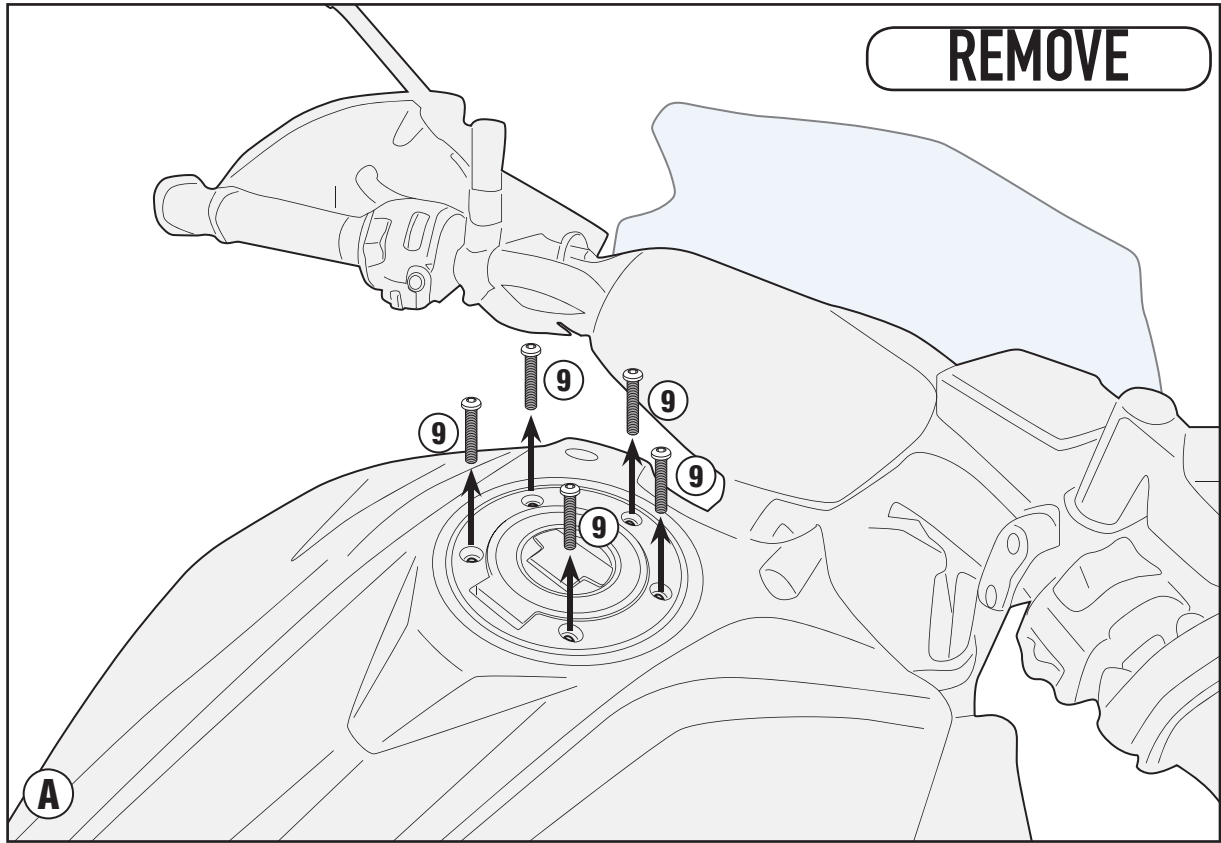
BF36 - BF36K

Flangia Specifica per borse Tanklock - Specific Carrier for Tanklock bags
Brides spécifiques pour Tanklock bagagerie souple - Tankringen für tanklock Weichtaschen
Aro específico para bolsa Tanklock



BF36 - BF36K

Flangia Specifica per borse Tanklock - Specific Carrier for Tanklock bags
Brides spécifiques pour Tanklock bagagerie souple - Tankringen für tanklock Weichtaschen
Aro específico para bolsa Tanklock



BF36 - BF36K

Flangia Specifica per borse Tanklock - Specific Carrier for Tanklock bags
Brides spécifiques pour Tanklock bagagerie souple - Tankringen für tanklock Weichtaschen
Aro específico para bolsa Tanklock

