



MODEL TRIUMPH TIGER 1050

YEAR 2007 - 2013

LINE SLIP ON

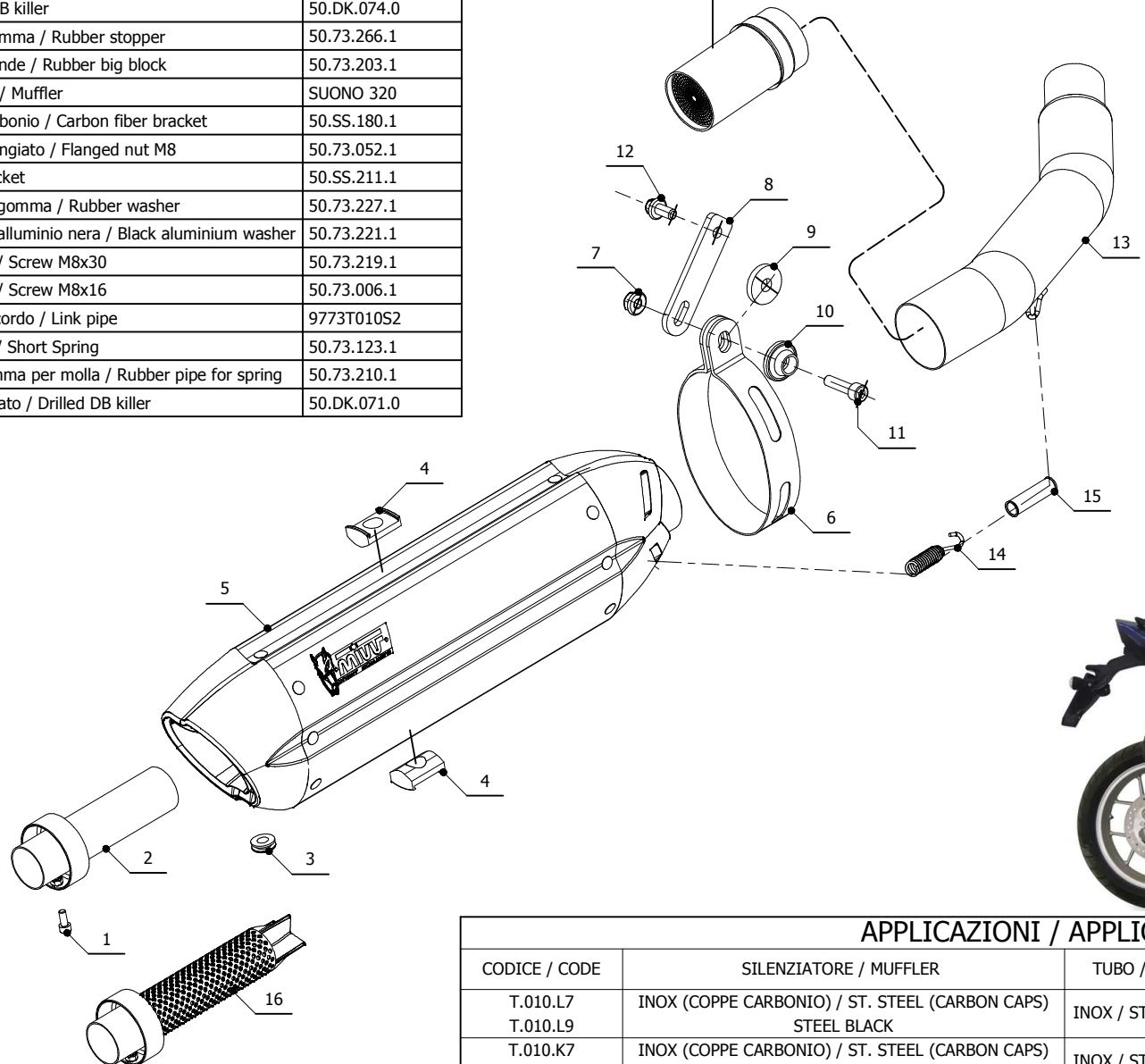
MUFFLER SUONO

SCHEMATIC

ELENCO PARTI / PARTS LIST

#	QTÀ / QTY	DESCRIZIONE / DESCRIPTION	CODICE / CODE
1	1	Vite M5x12 / Screw M5 x 12	50.73.628.1
2	1	DB killer / DB killer	50.DK.074.0
3	1	Tappo in gomma / Rubber stopper	50.73.266.1
4	2	Tassello grande / Rubber big block	50.73.203.1
5	1	Silenziatore / Muffler	SUONO 320
6	1	Staffa in carbonio / Carbon fiber bracket	50.SS.180.1
7	1	Dado M8 flangiato / Flanged nut M8	50.73.052.1
8	1	Staffa / Bracket	50.SS.211.1
9	1	Rondella in gomma / Rubber washer	50.73.227.1
10	1	Rondella in alluminio nera / Black aluminium washer	50.73.221.1
11	1	Vite M8x30 / Screw M8x30	50.73.219.1
12	1	Vite M8x16 / Screw M8x16	50.73.006.1
13	1	Tubo di raccordo / Link pipe	9773T010S2
14	1	Molla corta / Short Spring	50.73.123.1
15	1	Tubo in gomma per molla / Rubber pipe for spring	50.73.210.1
16	1	Db Killer forato / Drilled DB killer	50.DK.071.0

Catalytic Converter
Cod. ACC.033.A1
Optional for T.010.L7 - T.010.L9
Included in T.010.K7 - T.010.K9



APPLICAZIONI / APPLICATIONS

CODICE / CODE	SILENZIATORE / MUFFLER	TUBO / PIPE	FASCETTA / CLAMP	NOTE
T.010.L7 T.010.L9	INOX (COPPE CARBONIO) / ST. STEEL (CARBON CAPS) STEEL BLACK	INOX / ST. STEEL	CARBONIO / CARBON FIBER	CATALYTIC CONVERTER NOT INCLUDED
T.010.K7 T.010.K9	INOX (COPPE CARBONIO) / ST. STEEL (CARBON CAPS) STEEL BLACK	INOX / ST. STEEL	CARBONIO / CARBON FIBER	CATALYTIC CONVERTER INCLUDED