



**MODEL** BMW R 1250 GS

**YEAR** 2018 -->

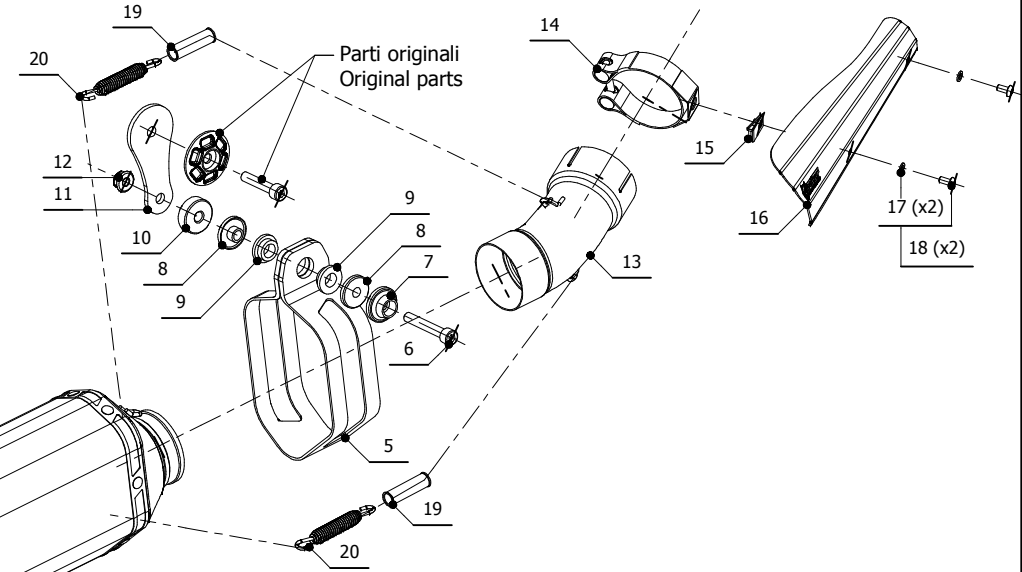
**LINE** SPORT

**MUFFLER** SPEED EDGE

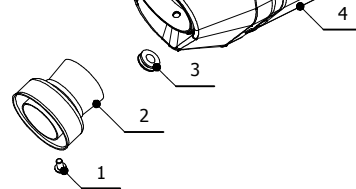
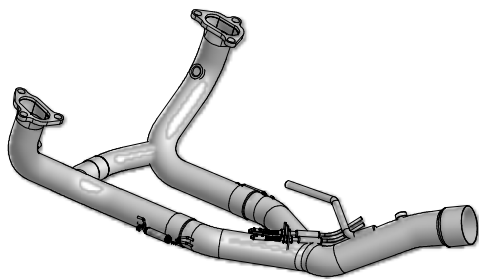
**SCHEMATIC**

**ELENCO PARTI / PARTS LIST**

#	QTÀ / QTY	DESCRIZIONE / DESCRIPTION	CODICE / CODE
1	1	Vite M5 x 8 / Screw M5 x 8	50.73.459.1
2	1	DB killer / DB killer	50.DK.138.0
3	1	Tappo in gomma / Rubber stopper	50.73.266.1
4	1	Silenziatore / Muffler	SPEED EDGE 400
5	1	Staffa in carbonio / Carbon fiber bracket	50.SS.814.1
6	1	Vite M8x50 / Screw M8x50	50.73.074.1
7	1	Rondella in alluminio nera / Black aluminium washer	50.73.221.1
8	2	Boccola / Bush	50.73.381.1
9	2	Silentblock / Silentblock	50.73.380.1
10	1	Distanziale in alluminio / Aluminium spacer (Øe.30 Øi.8,5 h.10)	50.SS.645.1
11	1	Staffa / Bracket	50.SS.750.0
12	1	Dado M8 flangiato / Flanged nut M8	50.73.393.1
13	1	Tubo di raccordo / Link pipe	9773B016SHX
14	1	Fascetta Ø 64/67 mm / Pipe clamp Ø 64/67 mm	50.73.681.0
15	1	Dado rapido M5 / M5 Cage nut	50.73.674.1
16	1	Copertura in alluminio / Aluminium cover	50.CR.018.0
17	2	Vite M5 x 8 / Screw M5 x 8	50.73.233.1
18	2	Rondella M5 / Washer M5	50.73.351.1
19	2	Tubo in gomma per molla / Rubber pipe for spring	50.73.210.1
20	2	Molla media / Middle spring	50.73.359.1



**OPTIONAL PARTS**  
**B.034.C1 - NO KAT PIPE**



**APPLICAZIONI / APPLICATIONS**

CODICE / CODE	SILENZIATORE / MUFFLER	TUBO / PIPE	FASCETTA / CLAMP
B.034.LRX	INOX (COPPE CARBONIO) / ST. STEEL (CARBON CAPS)	INOX / ST. STEEL	CARBONIO / CARBON FIBER
B.034.LRB	STEEL BLACK		