



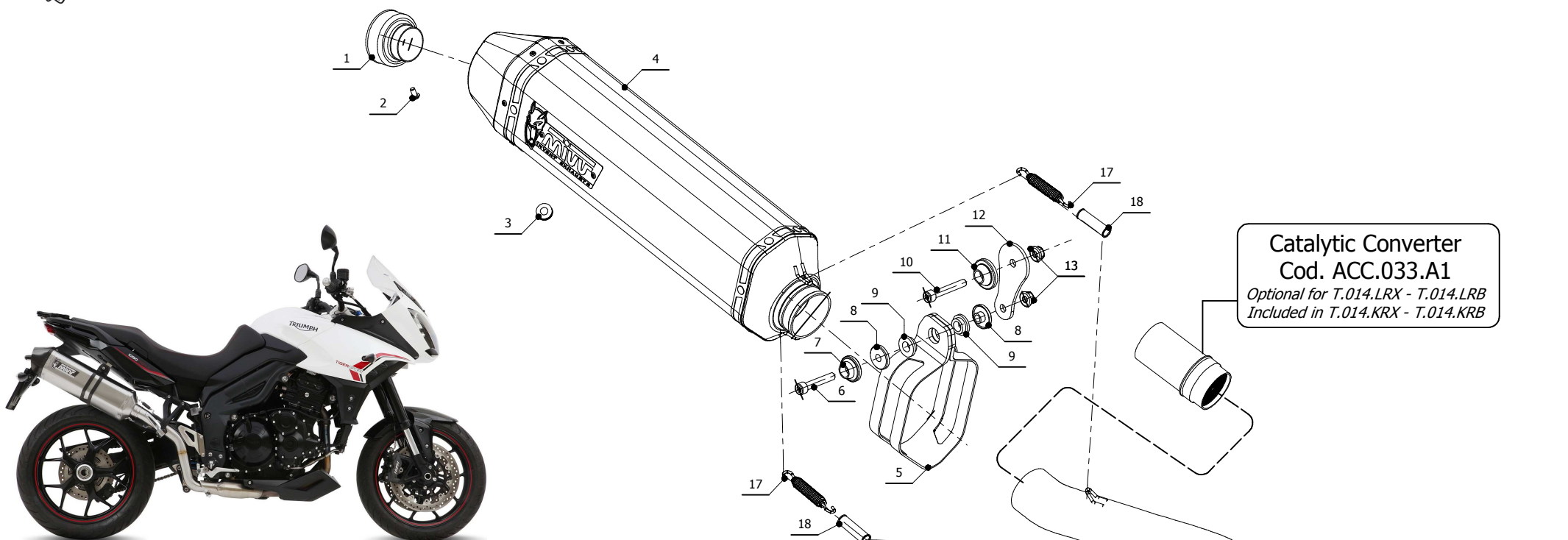
MODEL TRIUMPH TIGER 1050 SPORT

YEAR 2013 - 2015

LINE SLIP ON

MUFFLER SPEED EDGE

SCHEMATIC



Catalytic Converter
Cod. ACC.033.A1
Optional for T.014.LRX - T.014.LRB
Included in T.014.KRX - T.014.KRB

ELENCO PARTI / PARTS LIST

#	QTÀ / QTY	DESCRIZIONE / DESCRIPTION	CODICE / CODE
1	1	DB killer / DB killer	50.DK.086.0
2	1	Vite M5 x 8 / Screw M5 x 8	50.73.459.1
3	1	Tappo in gomma / Rubber stopper	50.73.266.1
4	1	Silenziatore / Muffler	SPEED EDGE 400
5	1	Staffa in carbonio / Carbon fiber bracket	50.SS.814.1
6	1	Vite M8x45 / Screw M8x45	50.73.602.1
7	1	Rondella in alluminio nera / Black aluminium washer	50.73.221.1
8	2	Boccola / Bush	50.73.381.1
9	2	Silentblock / Silentblock	50.73.380.1
10	1	Vite M8x50 / Screw M8x50	50.73.074.1
11	1	Rondella in alluminio / Aluminium washer	50.73.063.1
12	1	Staffa / Bracket	50.SS.750.0
13	2	Dado M8 flangiato / Flanged nut M8	50.73.393.1
14	1	Tubo di raccordo / Link Pipe	9773T014SRX
15	1	Guarnizione in grafite / Graphite bush	50.72.45.50.30
16	1	Fascetta Ø 48/51 mm / Pipe clamp Ø 48/51 mm	50.FA.007.1
17	2	Molla media / Middle spring	50.73.359.1
18	2	Tubo in gomma per molla / Rubber pipe for spring	50.73.210.1



APPLICAZIONI / APPLICATIONS

CODICE / CODE	TUBO / PIPE	SILENZIATORE / MUFFLER	FASCETTA / CLAMP	NOTE
T.014.LRX T.014.LRB	INOX / ST. STEEL	INOX (COPPE CARBONIO) / ST. STEEL (CARBON CAPS) STEEL BLACK	CARBONIO / CARBON FIBER	CATALYTIC CONVERTER NOT INCLUDED
T.014.KRX T.014.KRB	INOX / ST. STEEL	INOX (COPPE CARBONIO) / ST. STEEL (CARBON CAPS) STEEL BLACK	CARBONIO / CARBON FIBER	CATALYTIC CONVERTER INCLUDED