



MODEL MOTO GUZZI V7 III

YEAR 2017 -->

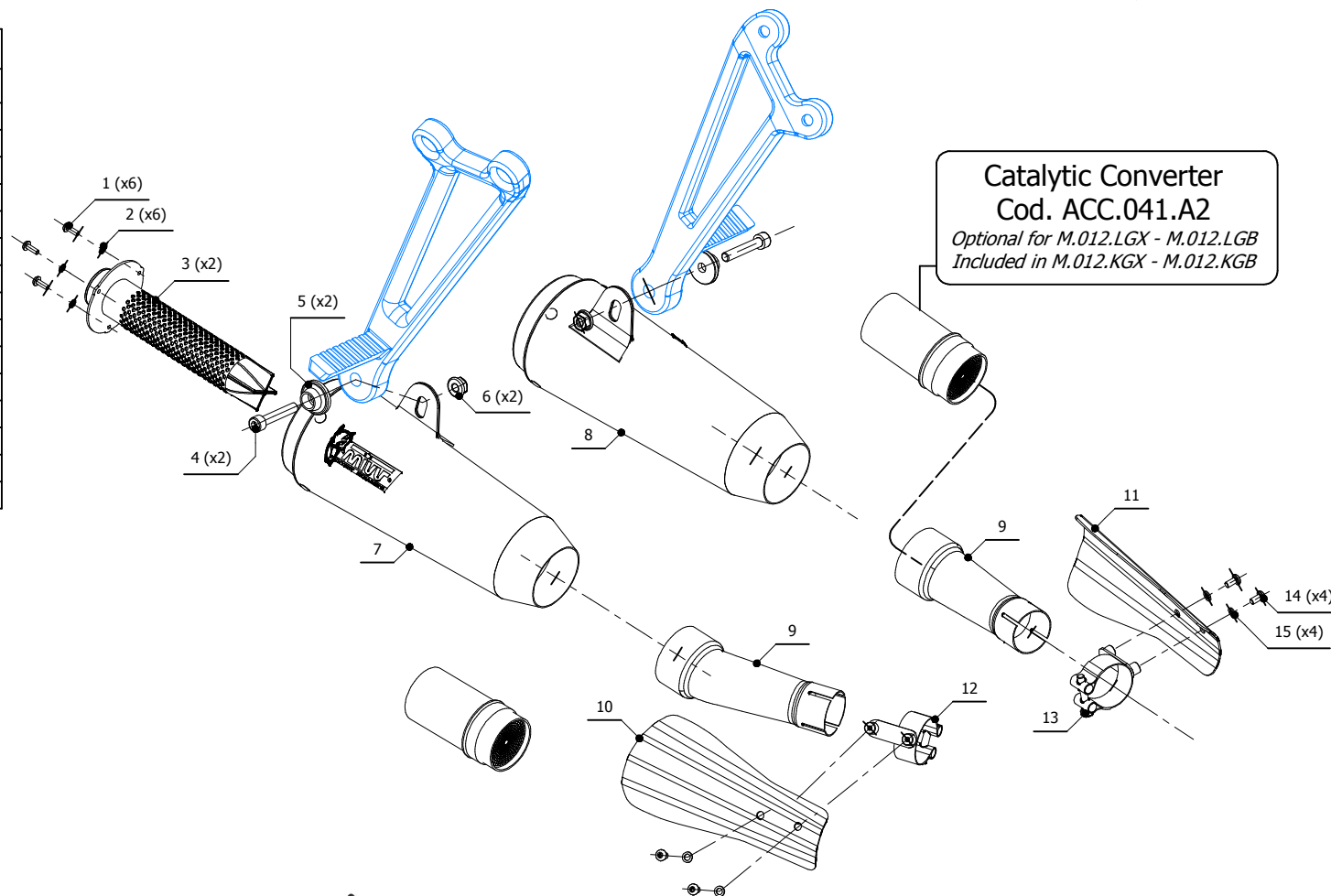
LINE SLIP ON

MUFFLER GHIBLI

SCHEMATIC

ELENCO PARTI / PARTS LIST

| # | QTÀ / QTY | DESCRIZIONE / DESCRIPTION | CODICE / CODE |
|----|-----------|--------------------------------------|------------------|
| 1 | 6 | Vite M4 x 12 / Screw M4 x 12 | 50.73.438.1 |
| 2 | 6 | Rondella M4 / Washer M4 | 50.73.440.1 |
| 3 | 2 | DB killer / DB killer | 50.DK.108.0 |
| 4 | 2 | Vite M8x45 / Screw M8x45 | 50.73.602.1 |
| 5 | 2 | Rondella nera / Black washer | 50.73.221.1 |
| 6 | 2 | Dado M8 flangiato / Flanged nut M8 | 50.73.393.1 |
| 7 | 1 | Silenziatore destro / Right muffler | GHIBLI DX |
| 8 | 1 | Silenziatore sinistro / Left muffler | GHIBLI SX |
| 9 | 2 | Tubo di raccordo / Link pipe | 9773M010SGX |
| 10 | 1 | Copertura destra / Right cover | 50.CR.034/036.DX |
| 11 | 1 | Copertura sinistra / Left cover | 50.CR.034/036.SX |
| 12 | 1 | Fascetta / Pipe clamp (Ø 40/43 mm) | 50.73.813.DX |
| 13 | 1 | Fascetta / Pipe clamp (Ø 40/43 mm) | 50.73.813.SX |
| 14 | 4 | Vite M5 x 8 / Screw M5 x 8 | 50.73.459.1 |
| 15 | 4 | Rondella M5 / Washer M5 | 50.73.351.1 |



APPLICAZIONI / APPLICATIONS

| CODICE / CODE | TUBO / PIPE | SILENZIATORE / MUFFLER | NOTE |
|------------------------|------------------|---------------------------------|-------------------------------------|
| M.012.LGX M.012.LGB | INOX / ST. STEEL | INOX / ST. STEEL STEEL BLACK | CATALYTIC CONVERTER NOT INCLUDED |
| M.012.KGX M.012.KGB | INOX / ST. STEEL | INOX / ST. STEEL STEELBLACK | CATALYTIC CONVERTER INCLUDED |