



MODEL KTM 790 ADVENTURE

YEAR 2019 -->

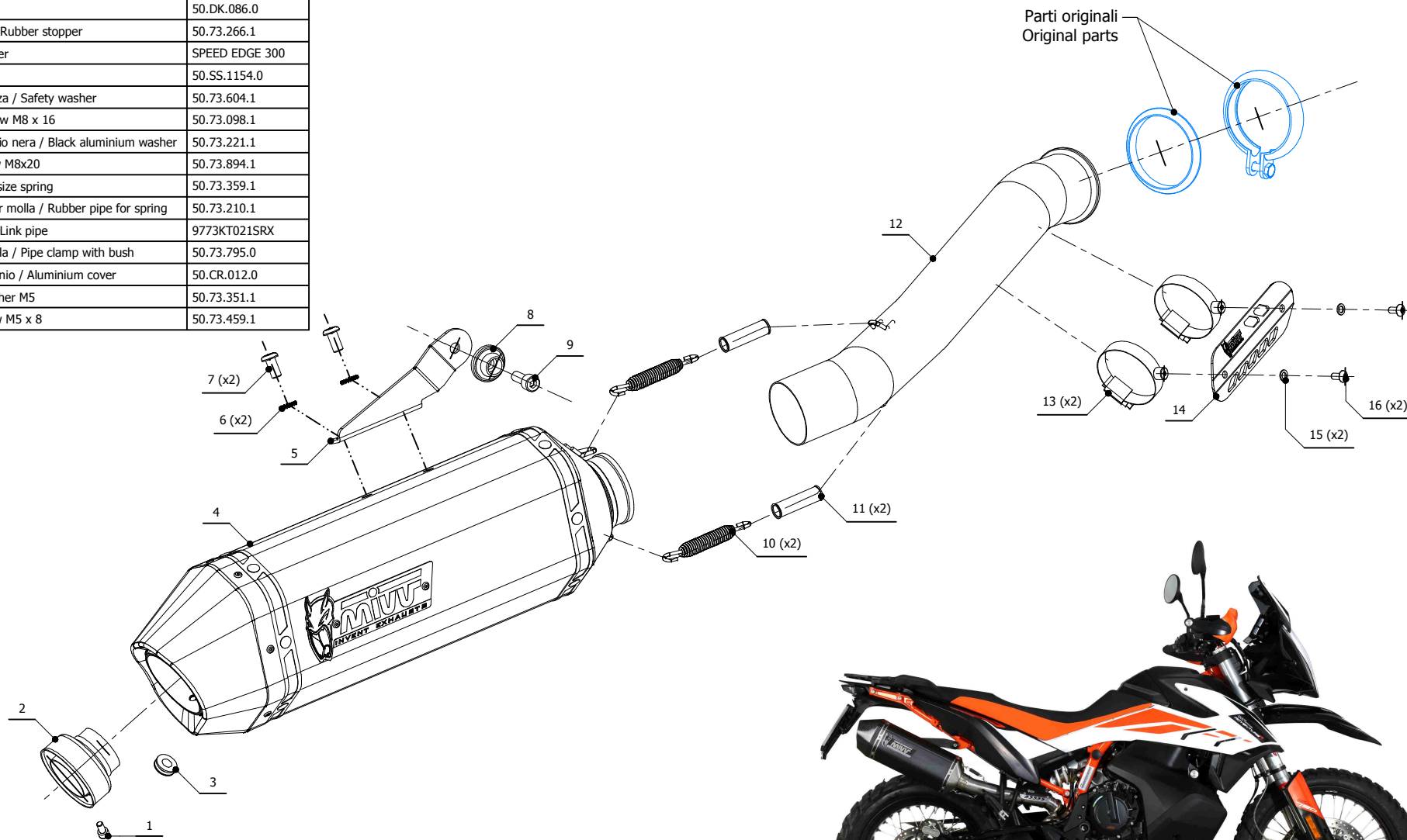
LINE SLIP ON

MUFFLER SPEED EDGE

SCHEMATIC

ELENCO PARTI / PARTS LIST

| # | QTÀ / QTY | DESCRIZIONE / DESCRIPTION | CODICE / CODE |
|----|-----------|---|----------------|
| 1 | 1 | Vite M5 x 10 / Screw M5 x 10 | 50.73.858.1 |
| 2 | 1 | DB killer / DB killer | 50.DK.086.0 |
| 3 | 1 | Tappo in gomma / Rubber stopper | 50.73.266.1 |
| 4 | 1 | Silenziatore / Muffler | SPEED EDGE 300 |
| 5 | 1 | Staffa / Bracket | 50.SS.1154.0 |
| 6 | 2 | Rondella di sicurezza / Safety washer | 50.73.604.1 |
| 7 | 2 | Vite M8 x 16 / Screw M8 x 16 | 50.73.098.1 |
| 8 | 1 | Rondella in alluminio nera / Black aluminium washer | 50.73.221.1 |
| 9 | 1 | Vite M8x20 / Screw M8x20 | 50.73.894.1 |
| 10 | 2 | Molla media / Mid-size spring | 50.73.359.1 |
| 11 | 2 | Tubo in gomma per molla / Rubber pipe for spring | 50.73.210.1 |
| 12 | 1 | Tubo di raccordo / Link pipe | 9773KT021SRX |
| 13 | 2 | Fascetta con bussola / Pipe clamp with bush | 50.73.795.0 |
| 14 | 1 | Copertura in alluminio / Aluminium cover | 50.CR.012.0 |
| 15 | 2 | Rondella M5 / Washer M5 | 50.73.351.1 |
| 16 | 2 | Vite M5 x 8 / Screw M5 x 8 | 50.73.459.1 |



APPLICAZIONI / APPLICATIONS

| CODICE / CODE | SILENZIATORE / MUFFLER | TUBO / PIPE | FASCETTA / CLAMP |
|---------------|---|------------------|------------------|
| KT.021.LRX | INOX (COPPE CARBONIO) / ST. STEEL (CARBON CAPS) | INOX / ST. STEEL | /// |
| KT.021.LRB | STEEL BLACK | | |