



MODEL HONDA XLV 700 TRANSALP

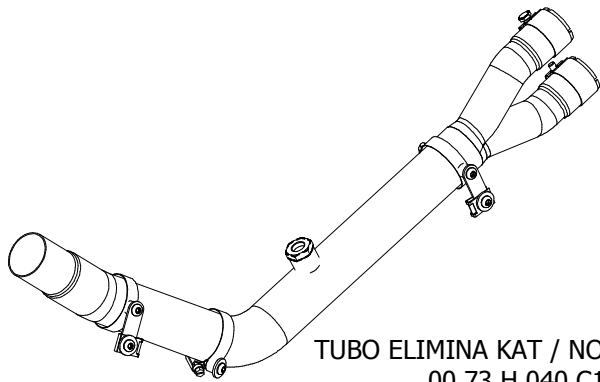
YEAR 2008

LINE SPORT

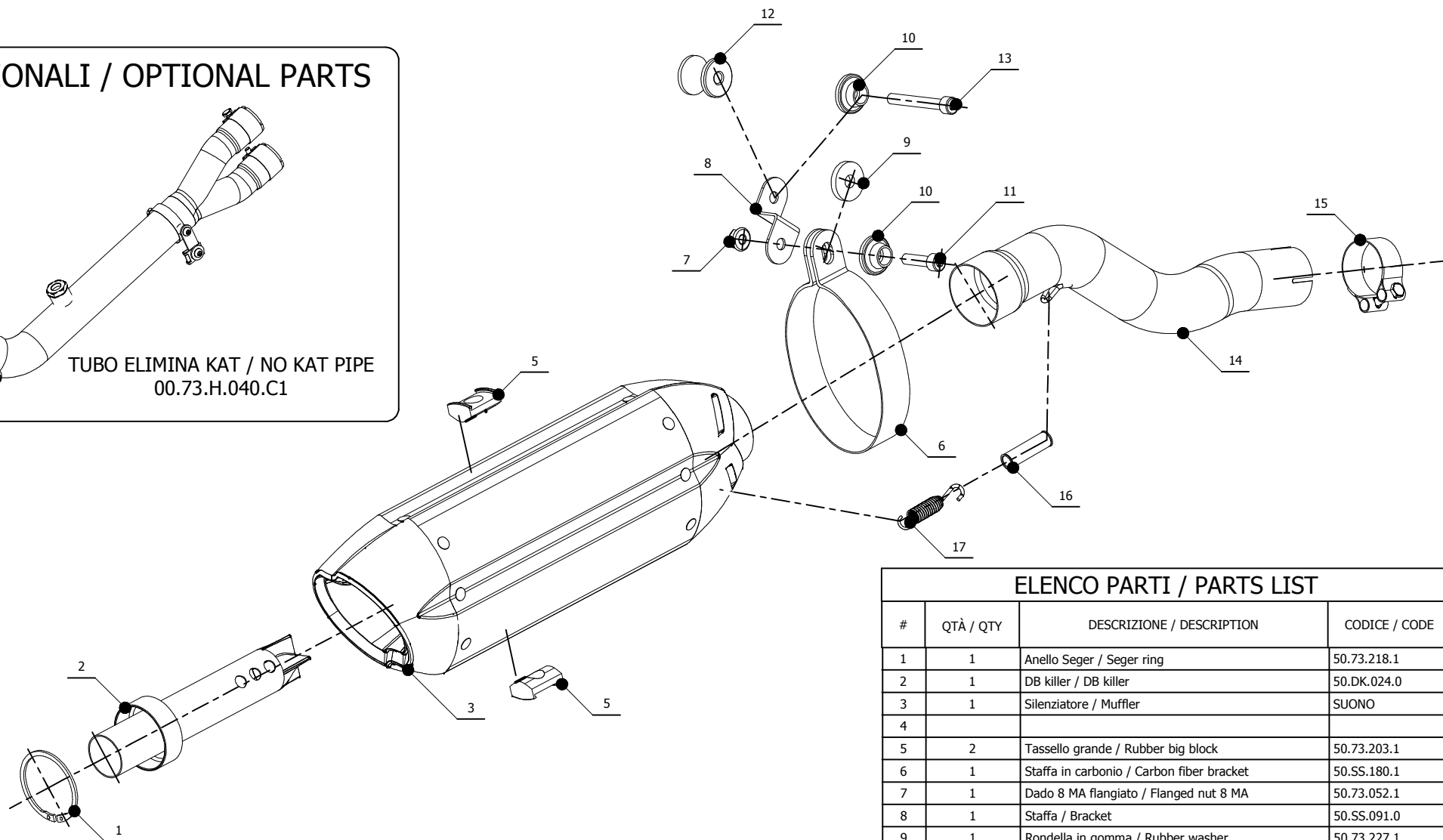
MUFFLER SUONO

SCHEMATIC

PARTI OPZIONALI / OPTIONAL PARTS



TUBO ELIMINA KAT / NO KAT PIPE  
00.73.H.040.C1



ELENCO PARTI / PARTS LIST

| #  | QTÀ / QTY | DESCRIZIONE / DESCRIPTION                           | CODICE / CODE |
|----|-----------|---|---------------|
| 1  | 1         | Anello Seger / Seger ring                           | 50.73.218.1   |
| 2  | 1         | DB killer / DB killer                               | 50.DK.024.0   |
| 3  | 1         | Silenziatore / Muffler                              | SUONO         |
| 4  |           |   |               |
| 5  | 2         | Tassello grande / Rubber big block                  | 50.73.203.1   |
| 6  | 1         | Staffa in carbonio / Carbon fiber bracket           | 50.SS.180.1   |
| 7  | 1         | Dado 8 MA flangiato / Flanged nut 8 MA              | 50.73.052.1   |
| 8  | 1         | Staffa / Bracket                                    | 50.SS.091.0   |
| 9  | 1         | Rondella in gomma / Rubber washer                   | 50.73.227.1   |
| 10 | 2         | Rondella in alluminio nera / Black aluminium washer | 50.73.221.1   |
| 11 | 1         | Vite M8x30 / Screw M8x30                            | 50.73.219.1   |
| 12 | 1         | Distanziale in alluminio / Aluminium spacer         | 50.SS.054.1   |
| 13 | 1         | Vite M8x60 / Screw M8x60                            | 50.73.078.1   |
| 14 | 1         | Tubo di raccordo / Link pipe                        | 9773H040S2    |
| 15 | 1         | Fascetta Ø 44/47 mm / Pipe clamp Ø 44/47 mm         | 50.FA.006.1   |
| 16 | 1         | Tubo in gomma per molla / Rubber pipe for spring    | 50.73.210.1   |
| 17 | 1         | Molla corta / Short Spring                          | 50.73.123.1   |

APPLICAZIONI / APPLICATIONS

| CODICE / CODE | TUBO / PIPE      | SILENZIATORE / MUFFLER                          | FASCETTA / CLAMP        |
|---------------|------------------|---|-------------------------|
| H.040.L7      | INOX / ST. STEEL | INOX (COPPE CARBONIO) / ST. STEEL (CARBON CAPS) | CARBONIO / CARBON FIBER |
| H.040.L9      | INOX / ST. STEEL | STEEL BLACK                                     | CARBONIO / CARBON FIBER |