



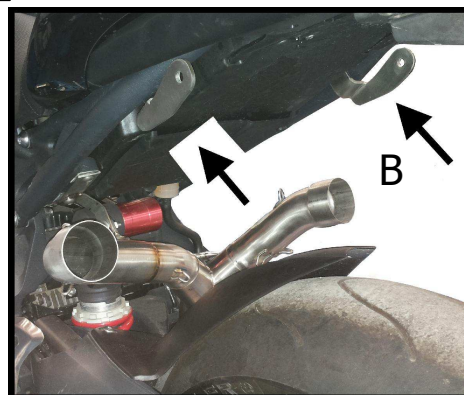
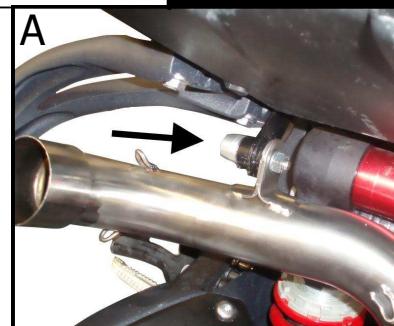
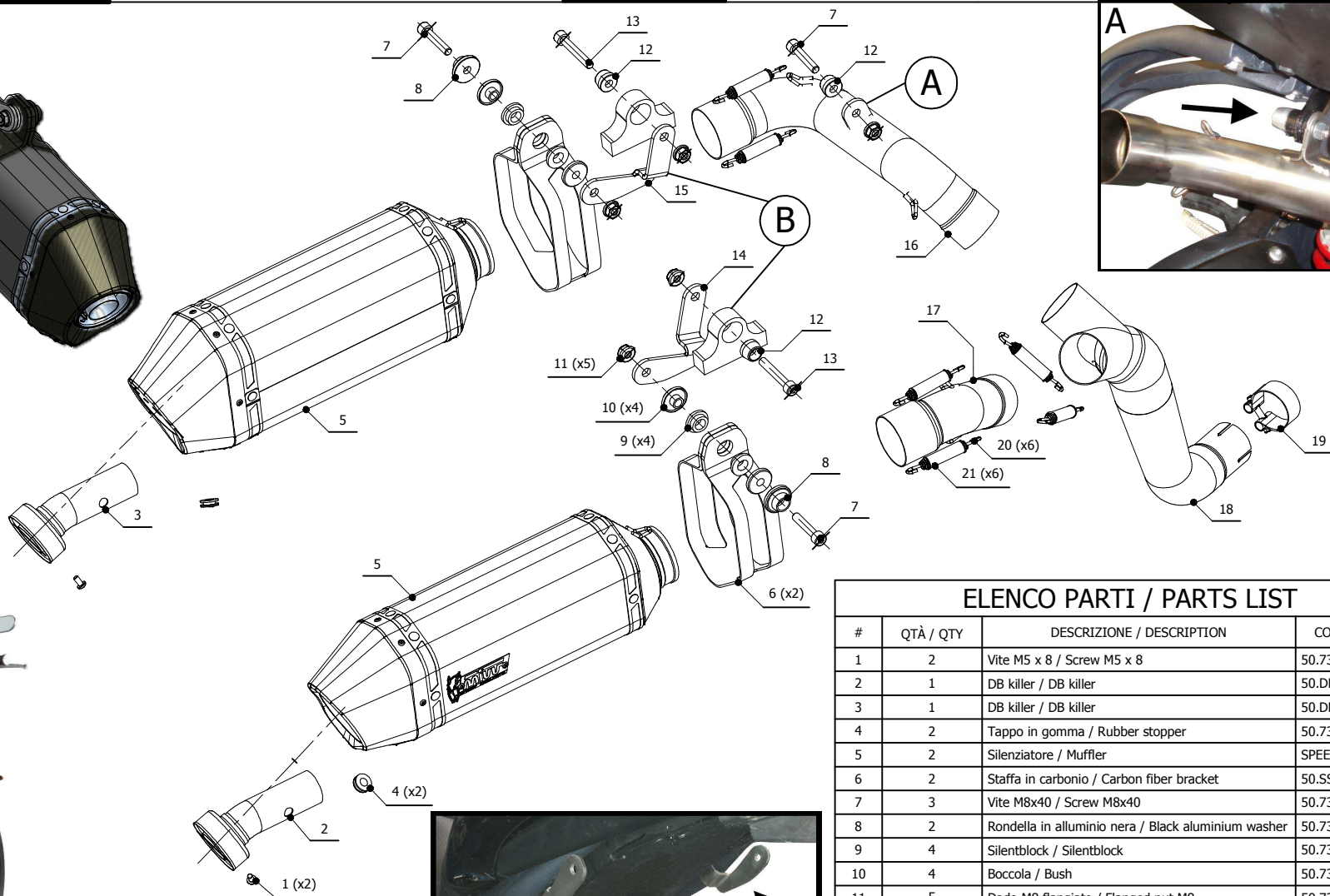
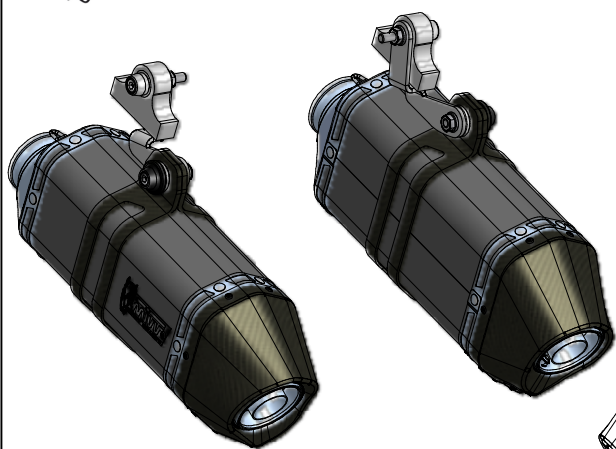
MODEL TRIUMPH SPEED TRIPLE

YEAR 2011-2015

LINE SPORT

MUFFLER SPEED EDGE

SCHEMATIC



ELENCO PARTI / PARTS LIST

#	QTÀ / QTY	DESCRIZIONE / DESCRIPTION	CODICE / CODE
1	2	Vite M5 x 8 / Screw M5 x 8	50.73.459.1
2	1	DB killer / DB killer	50.DK.064.0
3	1	DB killer / DB killer	50.DK.068.0
4	2	Tappo in gomma / Rubber stopper	50.73.266.1
5	2	Silenziatore / Muffler	SPEED EDGE 250
6	2	Staffa in carbonio / Carbon fiber bracket	50.SS.814.1
7	3	Vite M8x40 / Screw M8x40	50.73.075.1
8	2	Rondella in alluminio nera / Black aluminium washer	50.73.221.1
9	4	Silentblock / Silentblock	50.73.380.1
10	4	Boccola / Bush	50.73.381.1
11	5	Dado M8 flangiato / Flanged nut M8	50.73.393.1
12	3	Rondella in alluminio / Aluminium washer	50.73.248.1
13	2	Vite M8x50 / Screw M8x50	50.73.074.1
14	1	Staffa destra / Right bracket	50.SS.899.A
15	1	Staffa sinistra / Left bracket	50.SS.899.B
16	1	Tubo di raccordo sinistro / Left link pipe	9773AT012SRXC
17	1	Tubo di raccordo destro / Right link pipe	9773AT012SRXB
18	1	Tubo di raccordo 2-1 / Link pipe 2-1	9773AT012S2A
19	1	Fascetta Ø 44/47 mm / Pipe clamp Ø 44/47 mm	50.FA.006.1
20	6	Molla media / Middle spring	50.73.359.1
21	6	Tubo in gomma per molla / Rubber pipe for spring	50.73.210.1

APPLICAZIONI / APPLICATIONS

CODICE / CODE	TUBO / PIPE	SILENZIATORE / MUFFLER	FASCETTA / CLAMP
AT.012.LRX	INOX / ST. STEEL	INOX (COPPE CARBONIO) / ST. STEEL (CARBON CAPS)	CARBONIO / CARBON FIBER
AT.012.LRB	INOX / ST. STEEL	STEEL BLACK	CARBONIO / CARBON FIBER