



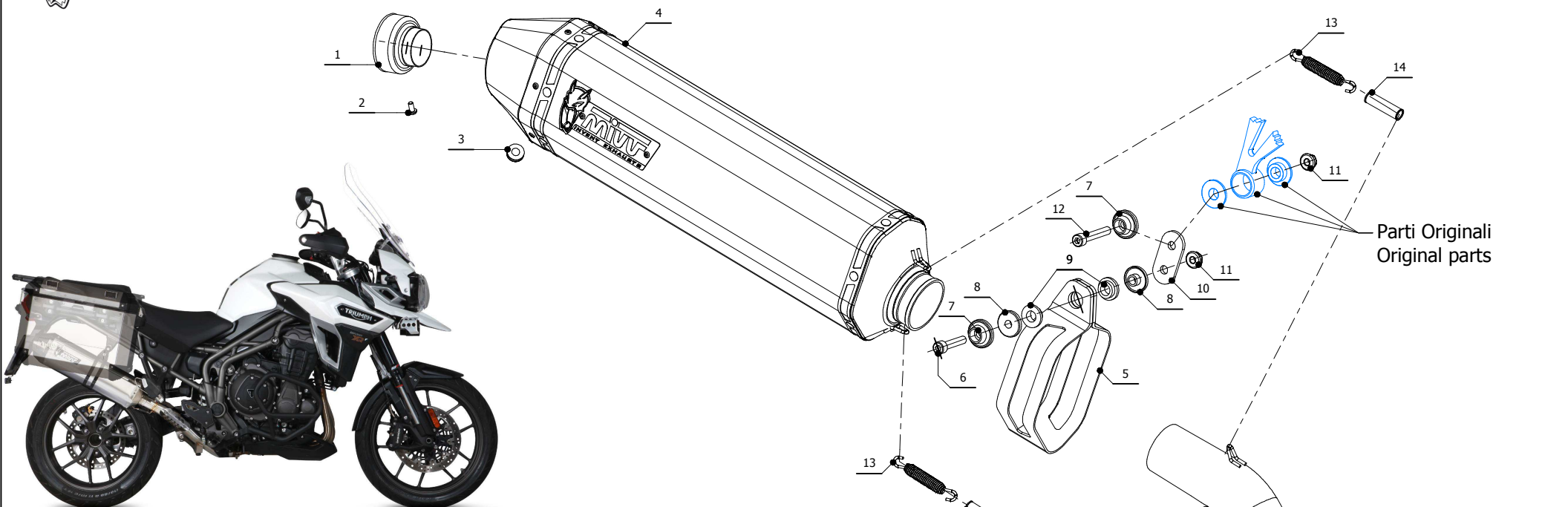
**MODEL** TRIUMPH TIGER 1200 EXPLORER

**YEAR** 2016-->

**LINE** SLIP ON

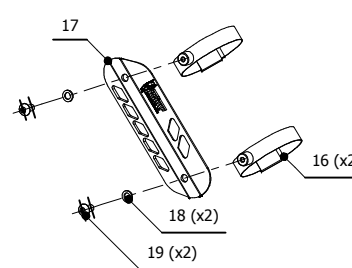
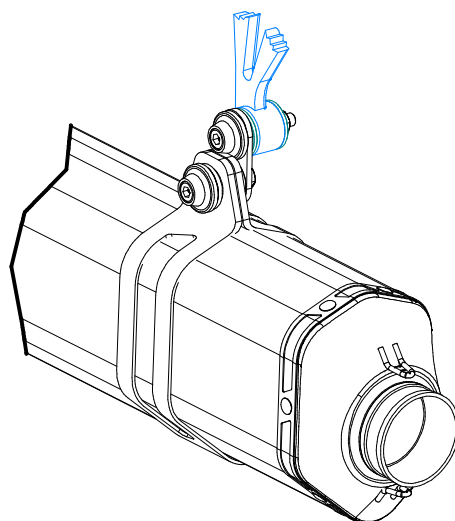
**MUFFLER** SPEED EDGE

**SCHEMATIC**



**ELENCO PARTI / PARTS LIST**

#	QTÀ / QTY	DESCRIZIONE / DESCRIPTION	CODICE / CODE
1	1	DB killer / DB killer	50.DK086.0
2	1	Vite M5 x 8 / Screw M5 x 8	50.73.459.1
3	1	Tappo in gomma / Rubber stopper	50.73.266.1
4	1	Silenziatore / Muffler	SPEED EDGE 430
5	1	Staffa in carbonio / Carbon fiber bracket	50.SS.814.1
6	1	Vite M8x40 / Screw M8x40	50.73.075.1
7	2	Rondella in alluminio nera / Black aluminium washer	50.73.221.1
8	2	Boccola / Bush	50.73.381.1
9	2	Silentblock / Silentblock	50.73.380.1
10	1	Staffa / Bracket	50.SS.657.0
11	3	Dado M8 flangiato / Flanged nut M8	50.73.393.1
12	1	Vite M8x50 / Screw M8x50	50.73.074.1
13	2	Molla media / Middle spring	50.73.359.1
14	2	Tubo in gomma per molla / Rubber pipe for spring	50.73.210.1
15	1	Tubo di raccordo / Link pipe	9773T015SRX
16	2	Fascetta con bussola / Pipe clamp with bush	50.73.795.0
17	1	Copertura in alluminio / Aluminium cover	50.CR.012.0
18	2	Rondella M5 / Washer M5	50.73.351.1
19	2	Vite M5 x 8 / Screw M5 x 8	50.73.233.1
20	1	Gommino paracolpi / Rubber buffer	50.72.010.1
21	1	Vite M8x25 / Screw M8x25	50.73.599.1



**APPLICAZIONI / APPLICATIONS**

CODICE / CODE	TUBO / PIPE	SILENZIATORE / MUFFLER	FASCETTA / CLAMP
T.015.LRX	INOX / ST. STEEL	INOX (COPPE CARBONIO) / ST. STEEL (CARBON CAPS)	CARBONIO / CARBON FIBER
T.015.LRB		STEEL BLACK	