



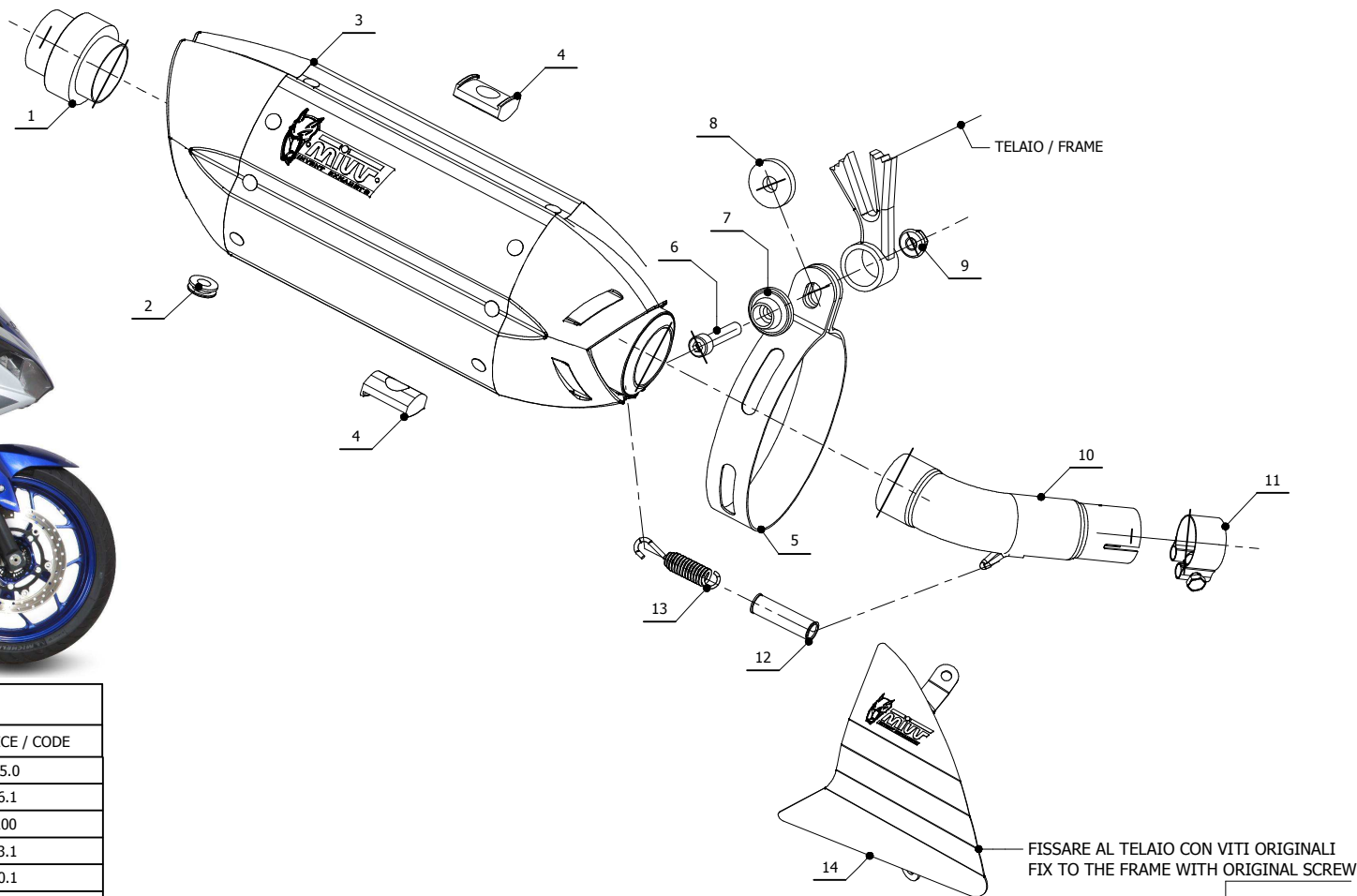
MODEL YAMAHA YZF R25 - YZF R3

YEAR 2015-

LINE SPORT

MUFFLER SUONO

SCHEMATIC



ELENCO PARTI / PARTS LIST

#	QTÀ / QTY	DESCRIZIONE / DESCRIPTION	CODICE / CODE
1	1	DB killer / DB killer	50.DK.075.0
2	1	Tappo in gomma / Rubber stopper	50.73.266.1
3	1	Silenziatore destro / Right muffler	SUONO 200
4	2	Tassello grande / Rubber big block	50.73.203.1
5	1	Staffa in carbonio / Carbon fiber bracket	50.SS.180.1
6	1	Vite M8x40 / Screw M8x40	50.73.075.1
7	1	Rondella in alluminio nera / Black aluminium washer	50.73.221.1
8	1	Rondella in gomma / Rubber washer	50.73.227.1
9	1	Dado M8 flangiato / Flanged nut M8	50.73.393.1
10	1	Tubo di raccordo / Link pipe	9773Y048S2S
11	1	Fascetta Ø 31/34 mm / Pipe clamp Ø 31/34 mm	50.FA.001.1
12	1	Tubo in gomma per molla / Rubber pipe for spring	50.73.210.1
13	1	Molla corta / Short Spring	50.73.123.1
14	1	Cover acciaio nero / Black steel cover	50.CR.028.0

APPLICAZIONI / APPLICATIONS

CODICE / CODE	TUBO / PIPE	SILENZIATORE / MUFFLER	FASCETTA / CLAMP
Y.048.L7	INOX / ST. STEEL	INOX (COPPE CARBONIO) / ST. STEEL (CARBON CAPS)	CARBONIO / CARBON FIBER
Y.048.L9	INOX / ST. STEEL	STEEL BLACK	CARBONIO / CARBON FIBER

