



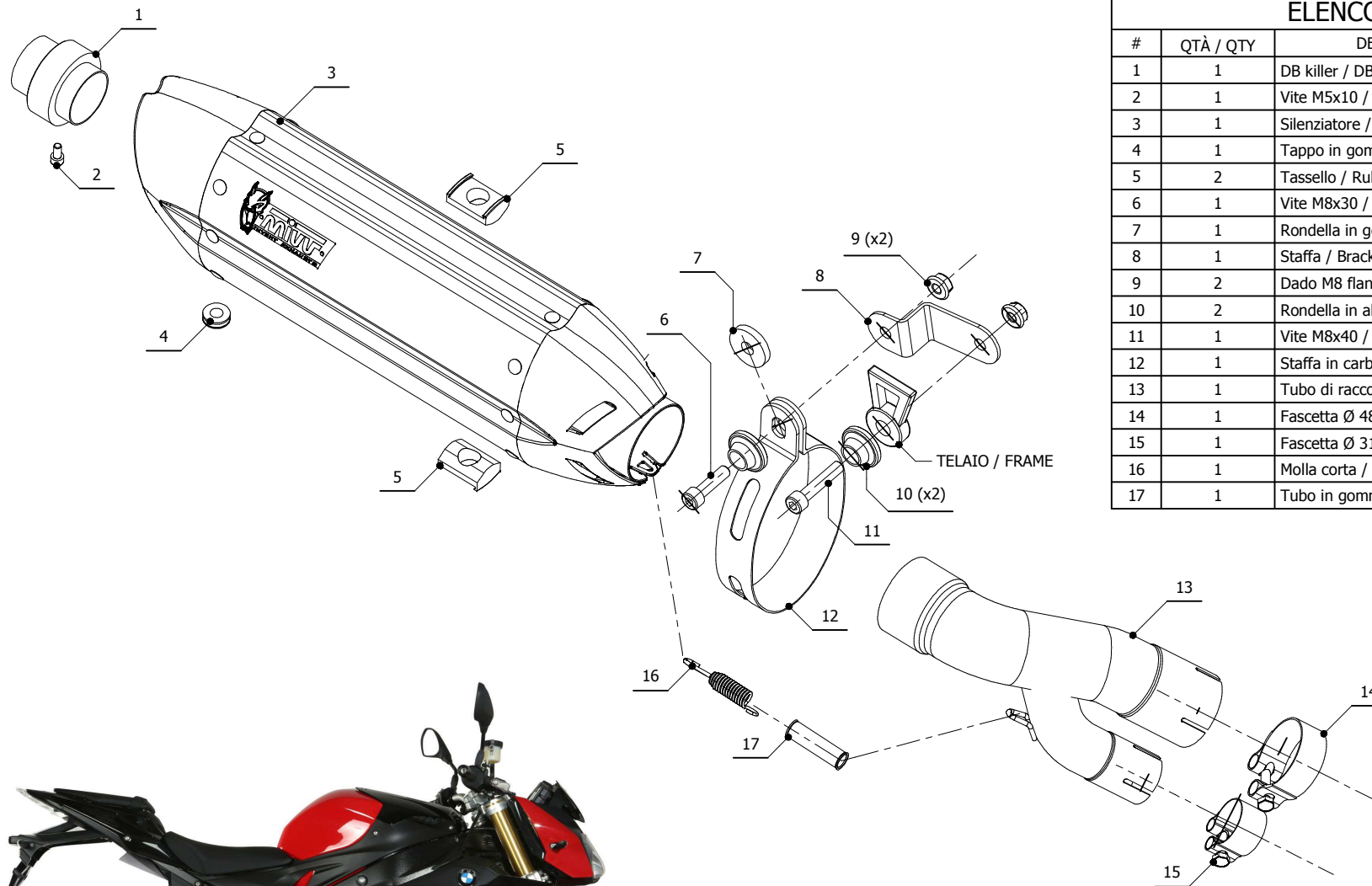
MODEL BMW S 1000 R

YEAR 2017

LINE SLIP ON

MUFFLER SUONO

SCHEMATIC



ELENCO PARTI / PARTS LIST

#	QTÀ / QTY	DESCRIZIONE / DESCRIPTION	CODICE / CODE
1	1	DB killer / DB killer	50.DK.075.0
2	1	Vite M5x10 / Screw M5 x 10	50.73.858.1
3	1	Silenziatore / Muffler	SUONO 270
4	1	Tappo in gomma / Rubber stopper	50.73.266.1
5	2	Tassello / Rubber block	50.73.203.1
6	1	Vite M8x30 / Screw M8x30	50.73.219.1
7	1	Rondella in gomma / Rubber washer	50.73.227.1
8	1	Staffa / Bracket	50.SS.1031.0
9	2	Dado M8 flangiato / Flanged nut M8	50.73.393.1
10	2	Rondella in alluminio nera / Black aluminium washer	50.73.221.1
11	1	Vite M8x40 / Screw M8x40	50.73.075.1
12	1	Staffa in carbonio / Carbon fiber bracket	50.SS.180.1
13	1	Tubo di raccordo / Link pipe	9773B030S2
14	1	Fascetta Ø 48/51 mm / Pipe clamp Ø 48/51 mm	50.FA.007.1
15	1	Fascetta Ø 31/34 mm / Pipe clamp Ø 31/34 mm	50.FA.001.1
16	1	Molla corta / Short Spring	50.73.123.1
17	1	Tubo in gomma per molla / Rubber pipe for spring	50.73.210.1



APPLICAZIONI / APPLICATIONS

CODICE / CODE	SILENZIATORE / MUFFLER	TUBO / PIPE	FASCETTA / CLAMP
B.030.L7	INOX (COPPE CARBONIO) / ST. STEEL (CARBON CAPS)	INOX / ST. STEEL	CARBONIO / CARBON FIBER
B.030.L9	STEEL BLACK		