



MODEL HONDA CROSSRUNNER

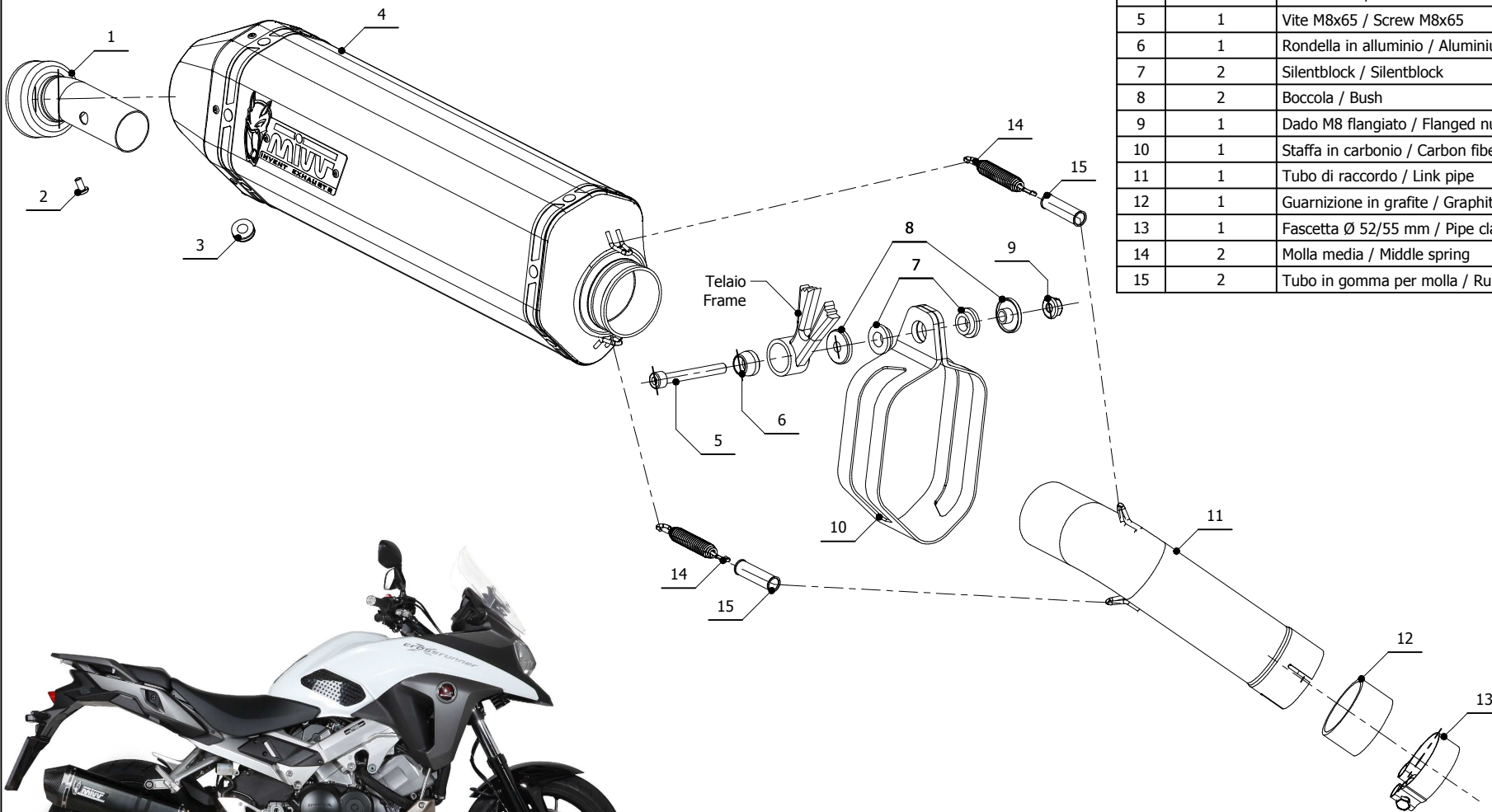
YEAR 2015 -->

LINE SPORT

MUFFLER SPEED EDGE

SCHEMATIC

ELENCO PARTI / PARTS LIST			
#	QTÀ / QTY	DESCRIZIONE / DESCRIPTION	CODICE / CODE
1	1	DB killer / DB killer	50.DK.064.0
2	1	Vite M5 x 8 / Screw M5 x 8	50.73.459.1
3	1	Tappo in gomma / Rubber stopper	50.73.266.1
4	1	Silenziatore / Muffler	SPEED EDGE 400
5	1	Vite M8x65 / Screw M8x65	50.73.603.1
6	1	Rondella in alluminio / Aluminium washer	50.73.248.1
7	2	Silentblock / Silentblock	50.73.380.1
8	2	Boccola / Bush	50.73.381.1
9	1	Dado M8 flangiato / Flanged nut M8	50.73.393.1
10	1	Staffa in carbonio / Carbon fiber bracket	50.SS.814.1
11	1	Tubo di raccordo / Link pipe	9773H058SRX
12	1	Guarnizione in grafite / Graphite bush	50.72.48.54.30
13	1	Fascetta Ø 52/55 mm / Pipe clamp Ø 52/55 mm	50.FA.008.1
14	2	Molla media / Middle spring	50.73.359.1
15	2	Tubo in gomma per molla / Rubber pipe for spring	50.73.210.1



APPLICAZIONI / APPLICATIONS

CODICE / CODE	SILENZIATORE / MUFFLER	TUBO / PIPE	FASCETTA / CLAMP
H.058.LRX	INOX (COPPE CARBONIO) / ST. STEEL (CARBON CAPS)	INOX / ST. STEEL	CARBONIO / CARBON FIBER
H.058.LRB	STEEL BLACK		