



MODEL YAMAHA YZF 1000 R1

YEAR 2009

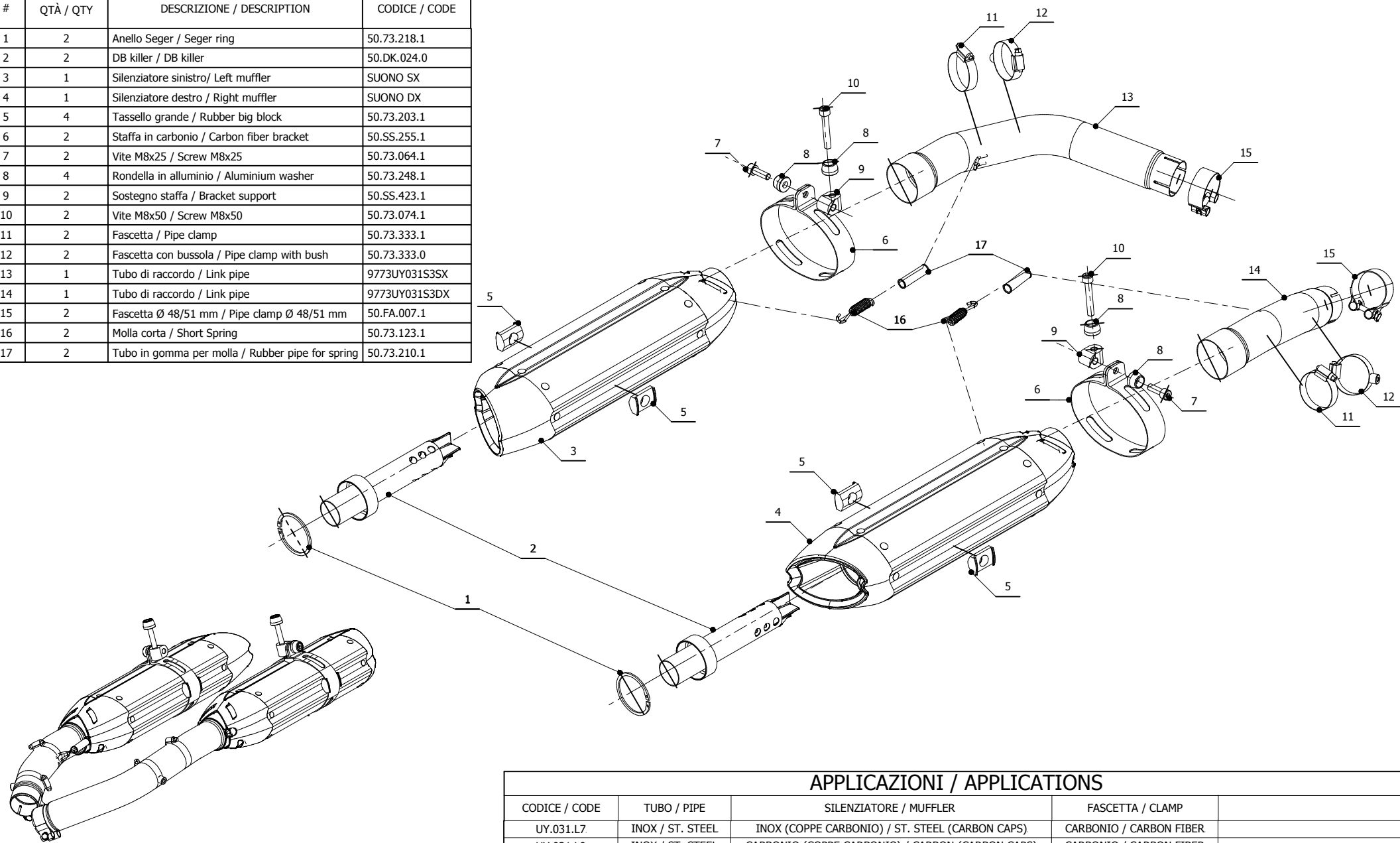
LINE SPORT

MUFFLER SUONO

SCHEMATIC

ELENCO PARTI / PARTS LIST

#	QTÀ / QTY	DESCRIZIONE / DESCRIPTION	CODICE / CODE
1	2	Anello Seger / Seger ring	50.73.218.1
2	2	DB killer / DB killer	50.DK.024.0
3	1	Silenziatore sinistro/ Left muffler	SUONO SX
4	1	Silenziatore destro / Right muffler	SUONO DX
5	4	Tassello grande / Rubber big block	50.73.203.1
6	2	Staffa in carbonio / Carbon fiber bracket	50.SS.255.1
7	2	Vite M8x25 / Screw M8x25	50.73.064.1
8	4	Rondella in alluminio / Aluminium washer	50.73.248.1
9	2	Sostegno staffa / Bracket support	50.SS.423.1
10	2	Vite M8x50 / Screw M8x50	50.73.074.1
11	2	Fascetta / Pipe clamp	50.73.333.1
12	2	Fascetta con bussola / Pipe clamp with bush	50.73.333.0
13	1	Tubo di raccordo / Link pipe	9773UY031S3SX
14	1	Tubo di raccordo / Link pipe	9773UY031S3DX
15	2	Fascetta Ø 48/51 mm / Pipe clamp Ø 48/51 mm	50.FA.007.1
16	2	Molla corta / Short Spring	50.73.123.1
17	2	Tubo in gomma per molla / Rubber pipe for spring	50.73.210.1



APPLICAZIONI / APPLICATIONS

CODICE / CODE	TUBO / PIPE	SILENZIATORE / MUFFLER	FASCETTA / CLAMP
UY.031.L7	INOX / ST. STEEL	INOX (COPPE CARBONIO) / ST. STEEL (CARBON CAPS)	CARBONIO / CARBON FIBER
UY.031.L9	INOX / ST. STEEL	CARBONIO (COPPE CARBONIO) / CARBON (CARBON CAPS)	CARBONIO / CARBON FIBER