

RP3105 - RP3105

PARACOPPA - OIL CARTER PROTECTOR - SABOT MOTEUR - SPEZIFISCHER MOTORSCHUTZ - CUBRE CARTER

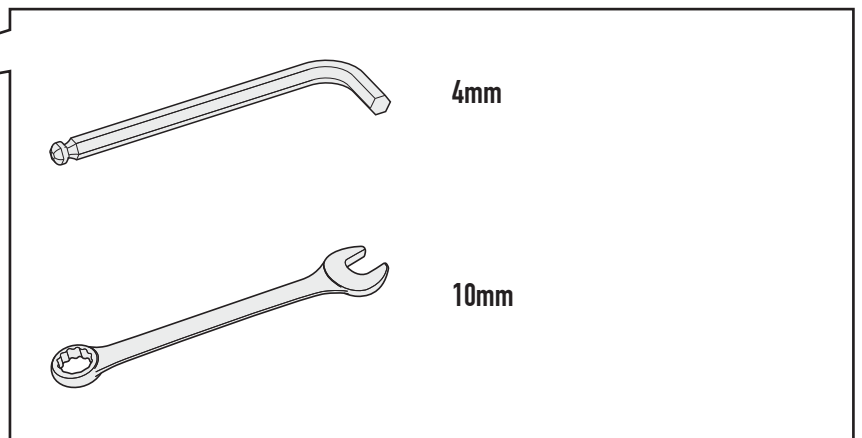
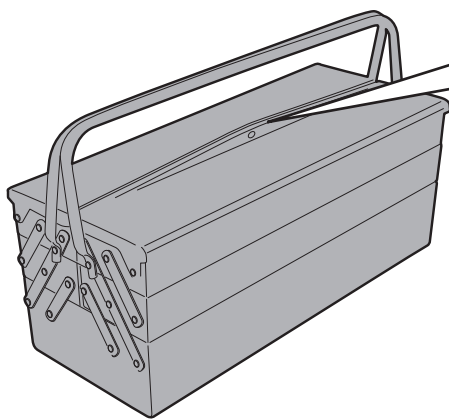
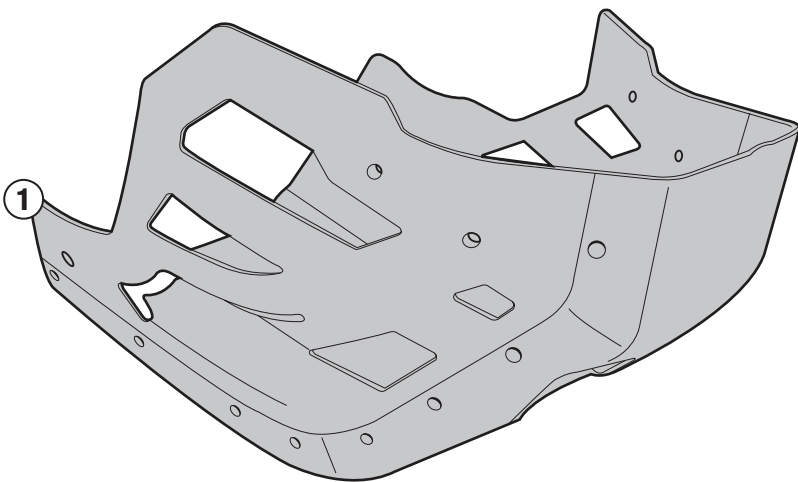
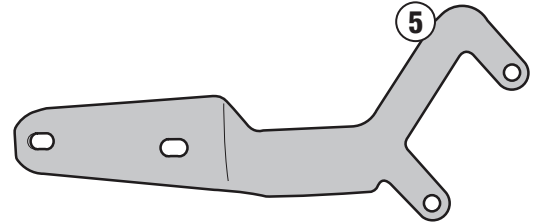
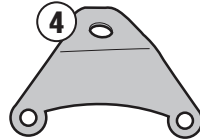
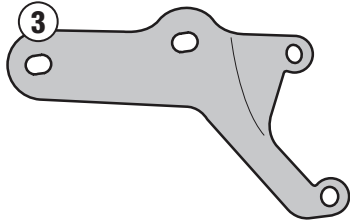
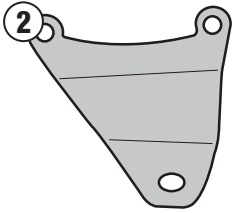
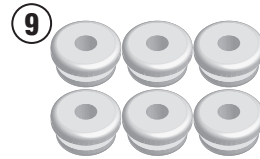
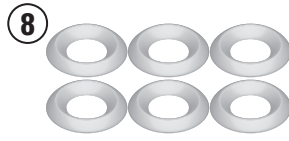
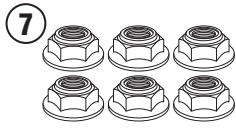
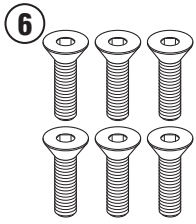
SUZUKI DL 1000 V-Strom (2014)

| N° | Descrizione | Caratteristiche | Codice | Quantità |
|----|---|---|-----------|----------|
| 1 | Paracoppa - Oil Carter Protector Sabot Moteur - Spezifischer Motorschutz Cubre Carter | - | - | 1 |
| 2 | Supporto - Support Support - Halterung Soporte - Apoio | Fe360 Sp. 1,5mm | GL2715 | 1 |
| 3 | Supporto - Support Support - Halterung Soporte - Apoio | Fe360 Sp. 1,5mm | GL2716 | 1 |
| 4 | Supporto - Support Support - Halterung Soporte - Apoio | Fe360 Sp. 1,5mm | GL2717 | 1 |
| 5 | Supporto - Support Support - Halterung Soporte - Apoio | Fe360 Sp. 1,5mm | GL2718 | 1 |
| 6 | Vite - Screw Vis - Schraube Tornillo - Parafuso | TSCEI M6x20 INOX | 620TSPX | 6 |
| 7 | Dado - Bolt - Ecrou Mutter - Tuerca - Porca | Dado Auto Bloccante Flangiato Ribassato M6 | 6DADIABFL | 6 |
| 8 | Rondella - Washer Rondelle - Scheibe Arandela - Arruela | INOX | 200RON | 6 |
| 9 | Gommino - Fairleader Chaumard - Gummi Goma - Borracha | - | Z269 | 6 |
| 10 | Componenti Originali - Original Parts Parties Originales - Original Bauteile Componentes Originales - Componentes Originais | - | - | - |

RP3105 - RP3105

PARACOPPA - OIL CARTER PROTECTOR - SABOT MOTEUR - SPEZIFISCHER MOTORSCHUTZ - CUBRE CARTER

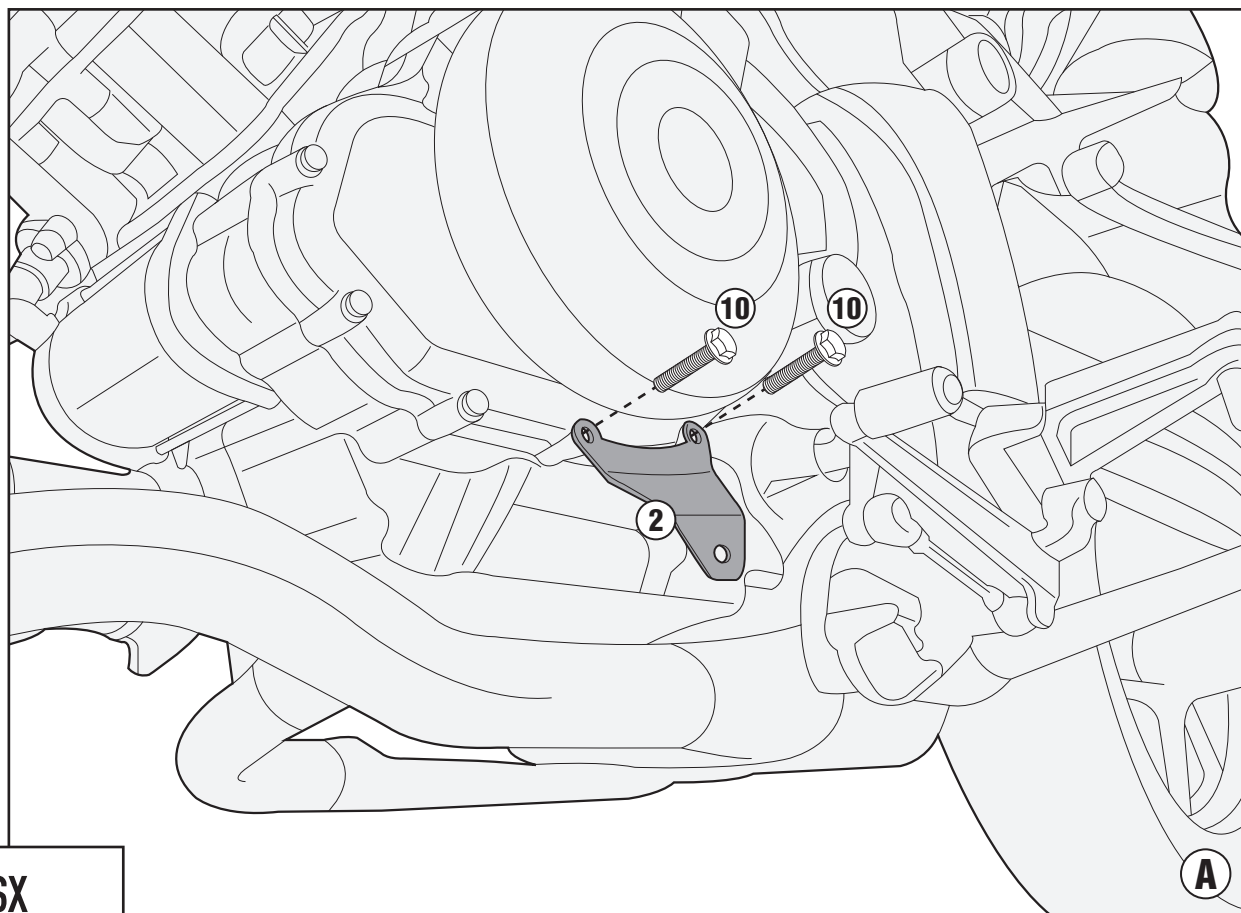
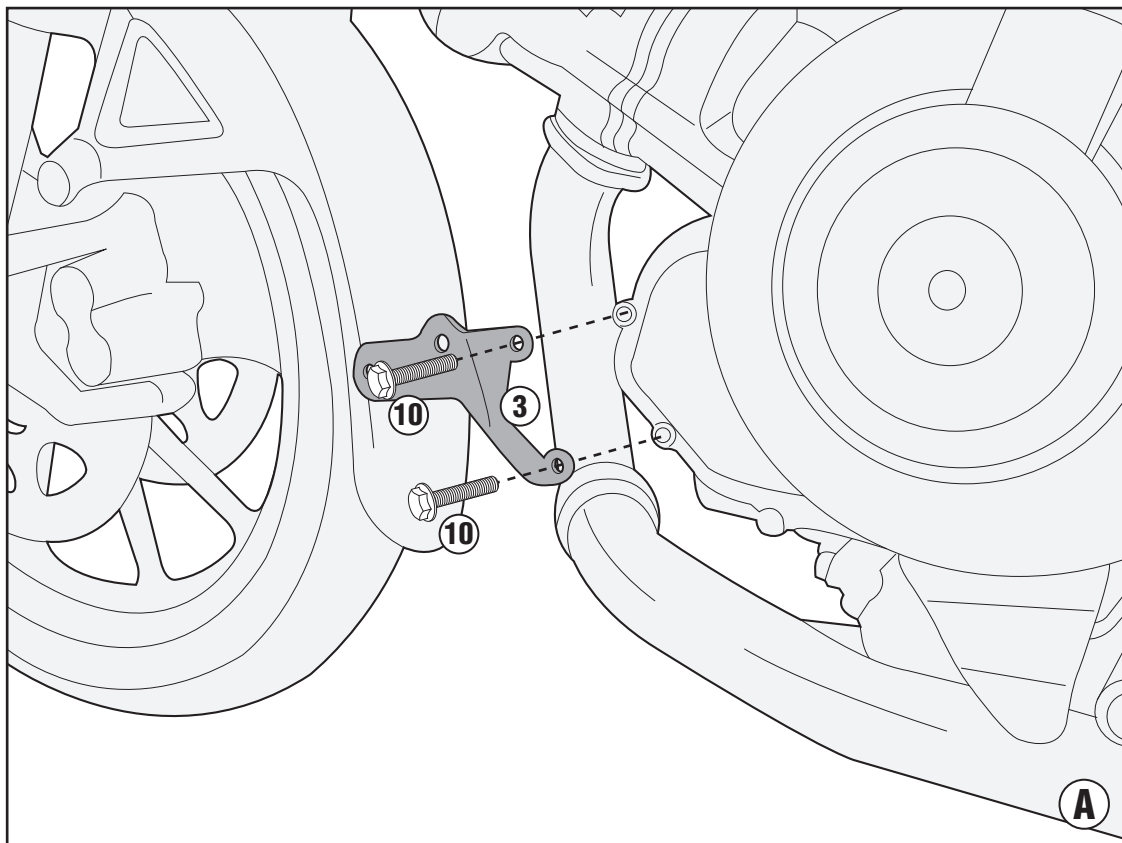
SUZUKI DL 1000 V-Strom (2014)



RP3105 - RP3105

PARACOPPA - OIL CARTER PROTECTOR - SABOT MOTEUR - SPEZIFISCHER MOTORSCHUTZ - CUBRE CARTER

SUZUKI DL 1000 V-Strom (2014)

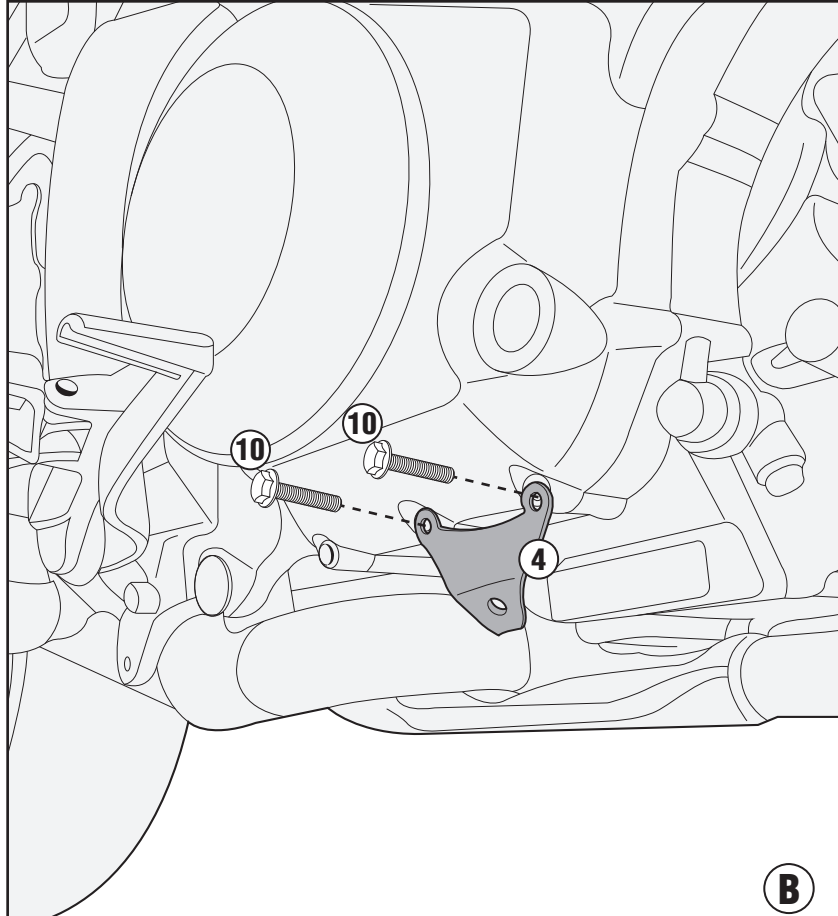
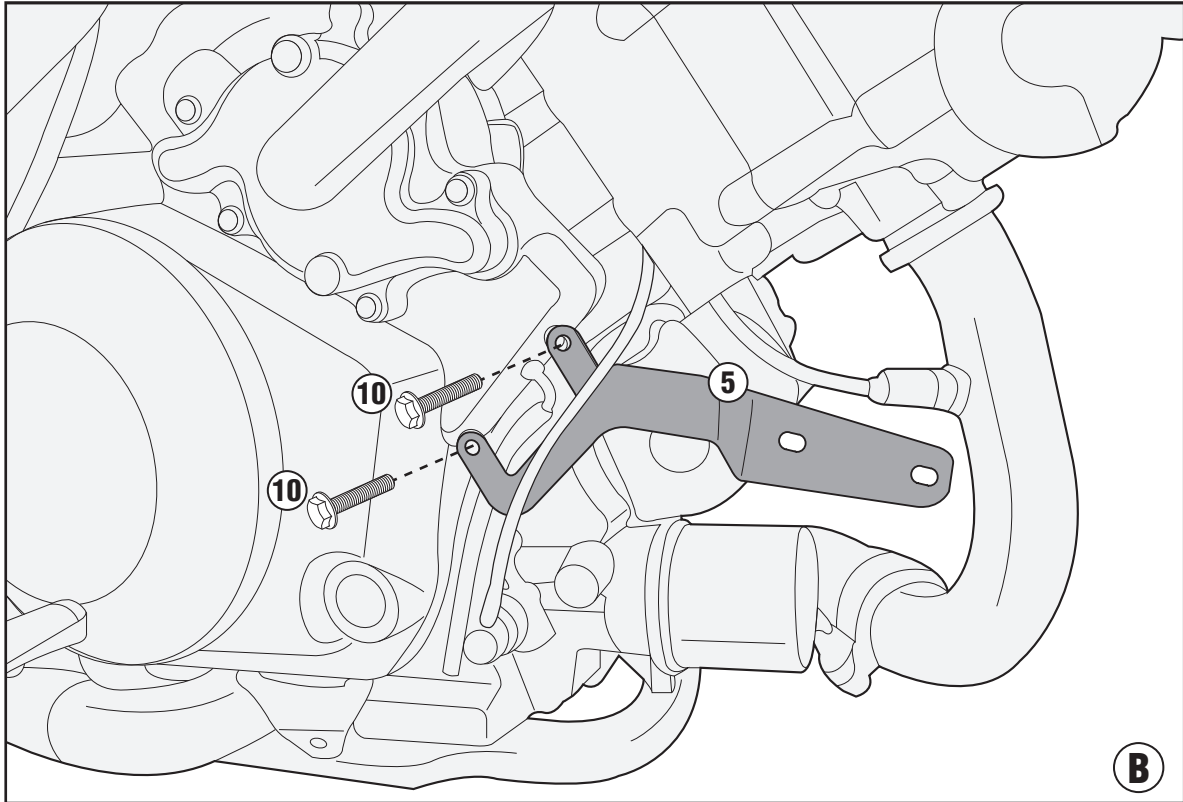


SX

RP3105 - RP3105

PARACOPPA - OIL CARTER PROTECTOR - SABOT MOTEUR - SPEZIFISCHER MOTORSCHUTZ - CUBRE CARTER

SUZUKI DL 1000 V-Strom (2014)

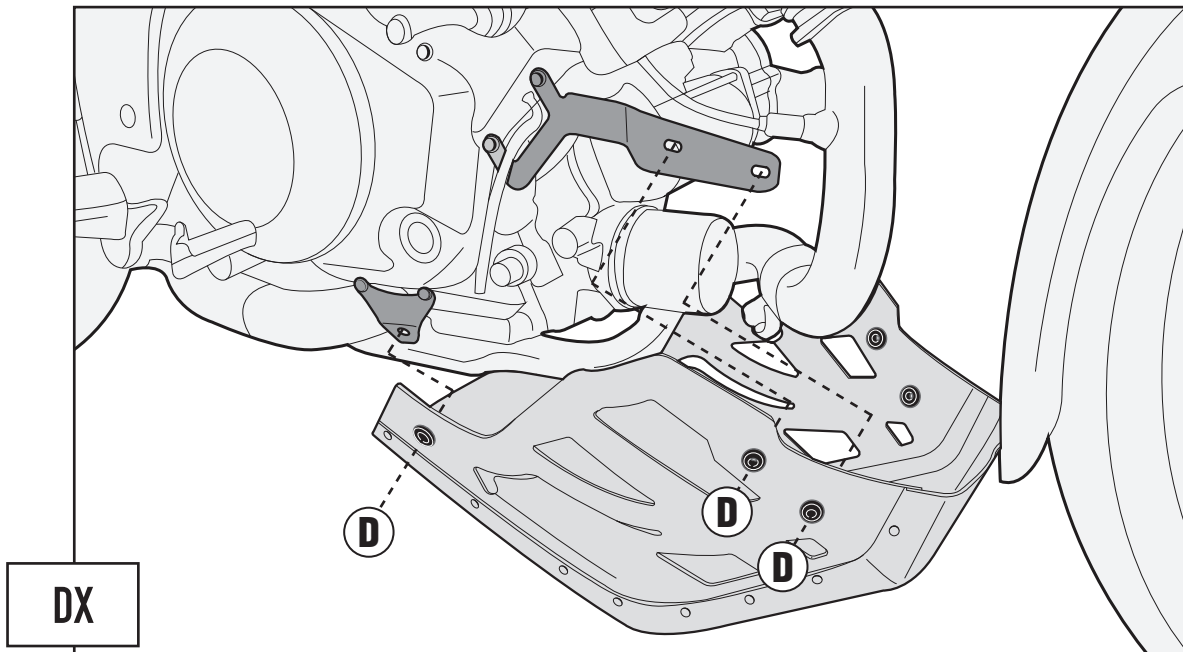
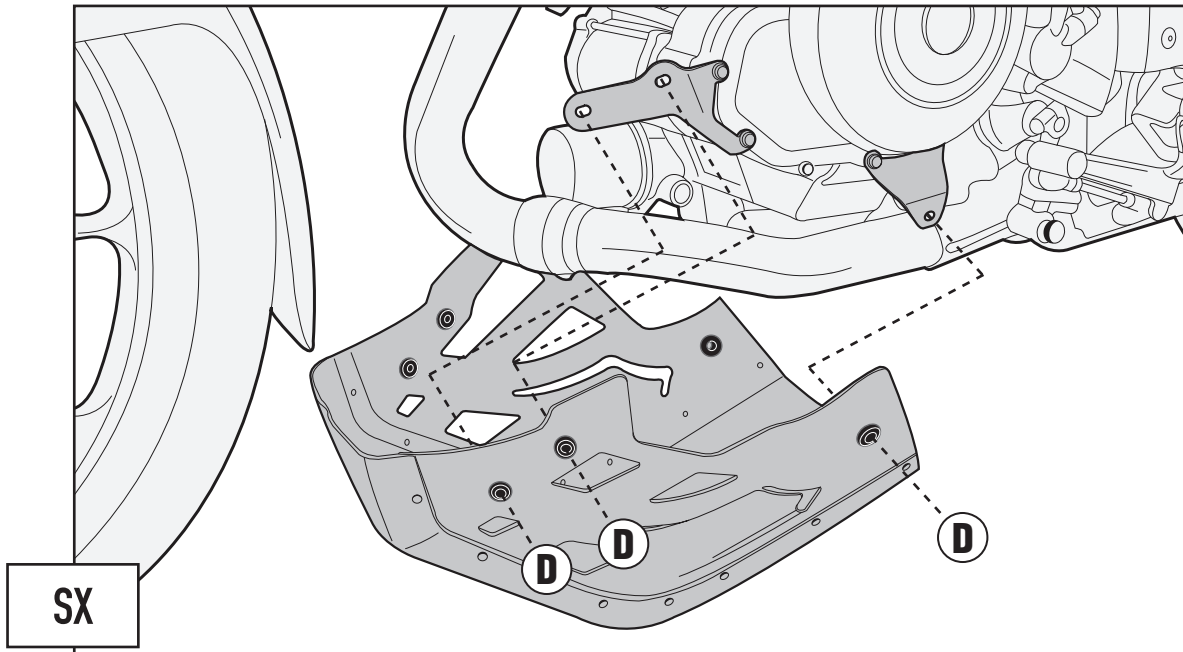
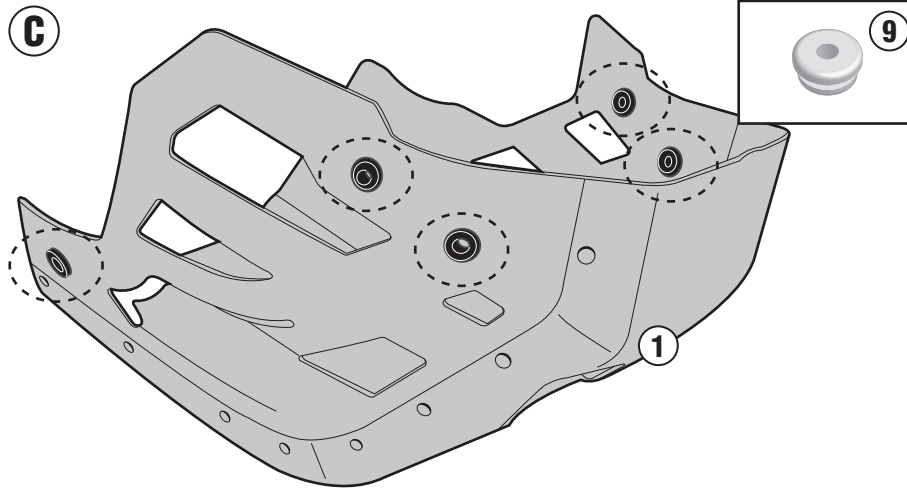


DX

RP3105 - RP3105

PARACOPPA - OIL CARTER PROTECTOR - SABOT MOTEUR - SPEZIFISCHER MOTORSCHUTZ - CUBRE CARTER

SUZUKI DL 1000 V-Strom (2014)



RP3105 - RP3105

PARACOPPA - OIL CARTER PROTECTOR - SABOT MOTEUR - SPEZIFISCHER MOTORSCHUTZ - CUBRE CARTER

SUZUKI DL 1000 V-Strom (2014)

