



MODEL TRIUMPH SPEED TRIPLE

YEAR 2016 -->

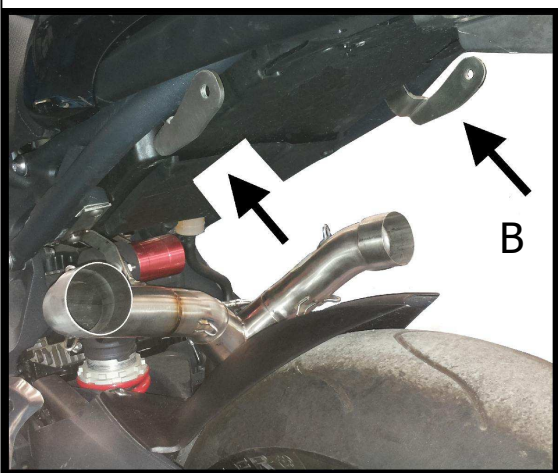
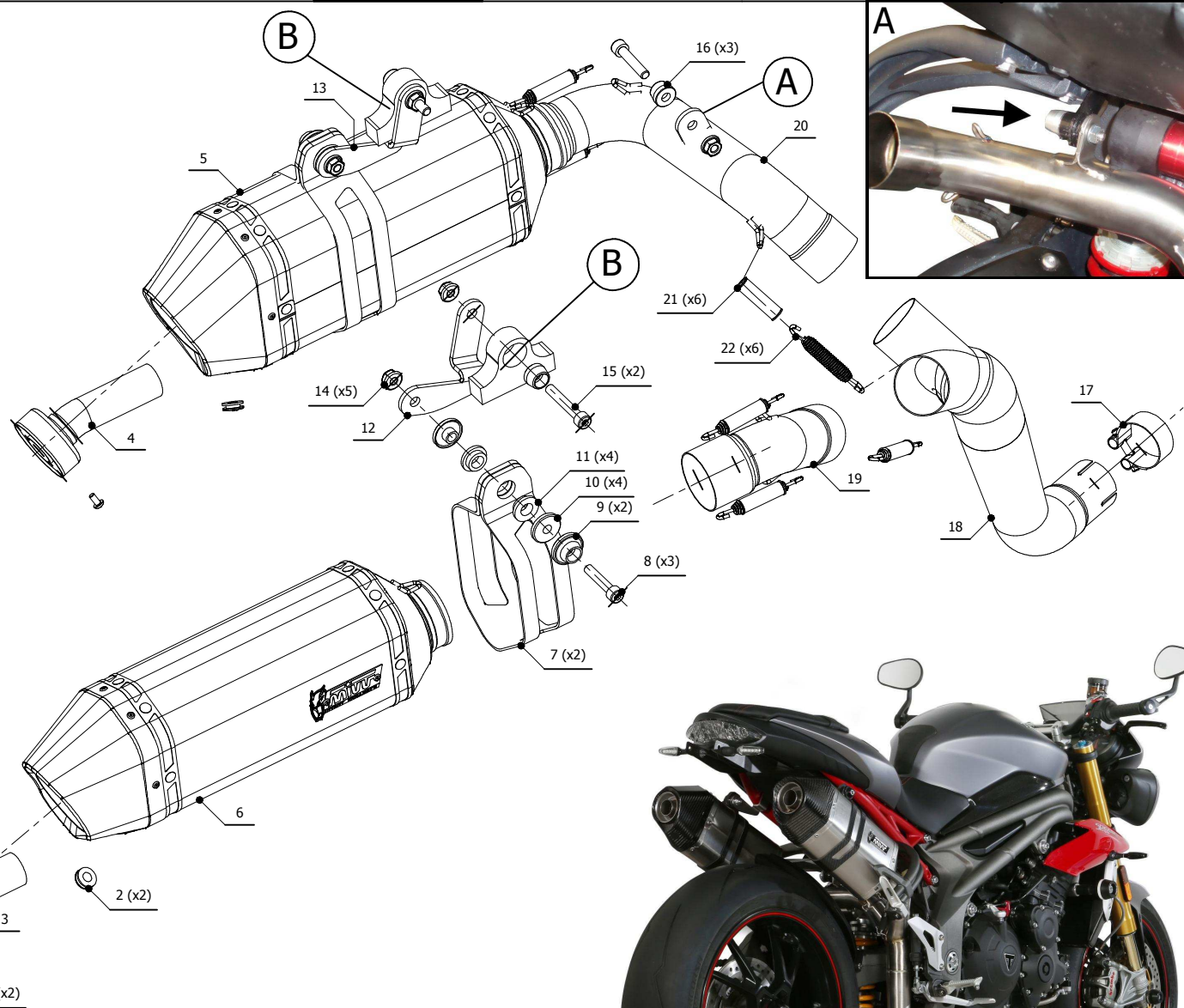
LINE SLIP ON

MUFFLER SPEED EDGE

SCHEMATIC

ELENCO PARTI / PARTS LIST

#	QTÀ / QTY	DESCRIZIONE / DESCRIPTION	CODICE / CODE
1	2	Vite M5 x 8 / Screw M5 x 8	50.73.459.1
2	2	Tappo in gomma / Rubber stopper	50.73.266.1
3	1	DB killer / DB killer	50.DK.091.0
4	1	DB killer / DB killer	50.DK.113.0
5	1	Silenziatore sinistro / Left muffler	SPEED EDGE 250 SX
6	1	Silenziatore destro / Right muffler	SPEED EDGE 250 DX
7	2	Staffa in carbonio / Carbon fiber bracket	50.SS.814.1
8	3	Vite M8x40 / Screw M8x40	50.73.075.1
9	2	Rondella in alluminio nera / Black aluminium washer	50.73.221.1
10	4	Boccola / Bush	50.73.381.1
11	4	Silentblock / Silentblock	50.73.380.1
12	1	Staffa destra / Right bracket	50.SS.899.A
13	1	Staffa sinistra / Left bracket	50.SS.899.B
14	5	Dado M8 flangiato / Flanged nut M8	50.73.393.1
15	2	Vite M8x50 / Screw M8x50	50.73.074.1
16	3	Rondella in alluminio / Aluminium washer	50.73.248.1
17	1	Fascetta Ø 44/47 mm / Pipe clamp Ø 44/47 mm	50.FA.006.1
18	1	Tubo di raccordo 2-1 / Link pipe 2-1	9773AT012S2A
19	1	Tubo di raccordo destro / Right link pipe	9773AT012SRXB
20	1	Tubo di raccordo sinistro / Left link pipe	9773AT012SRXC
21	6	Tubo in gomma per molla / Rubber pipe for spring	50.73.210.1
22	6	Molla media / Middle spring	50.73.359.1



APPLICAZIONI / APPLICATIONS

CODICE / CODE	SILENZIATORE / MUFFLER	TUBO / PIPE	FASCETTA / CLAMP
AT.016.LRX	INOX (COPPE CARBONIO) / ST. STEEL (CARBON CAPS)	INOX / ST. STEEL	CARBONIO / CARBON FIBER
AT.016.LRB	STEEL BLACK		