



MODEL KTM 990 SUPERDUKE

YEAR 2005 - 2011

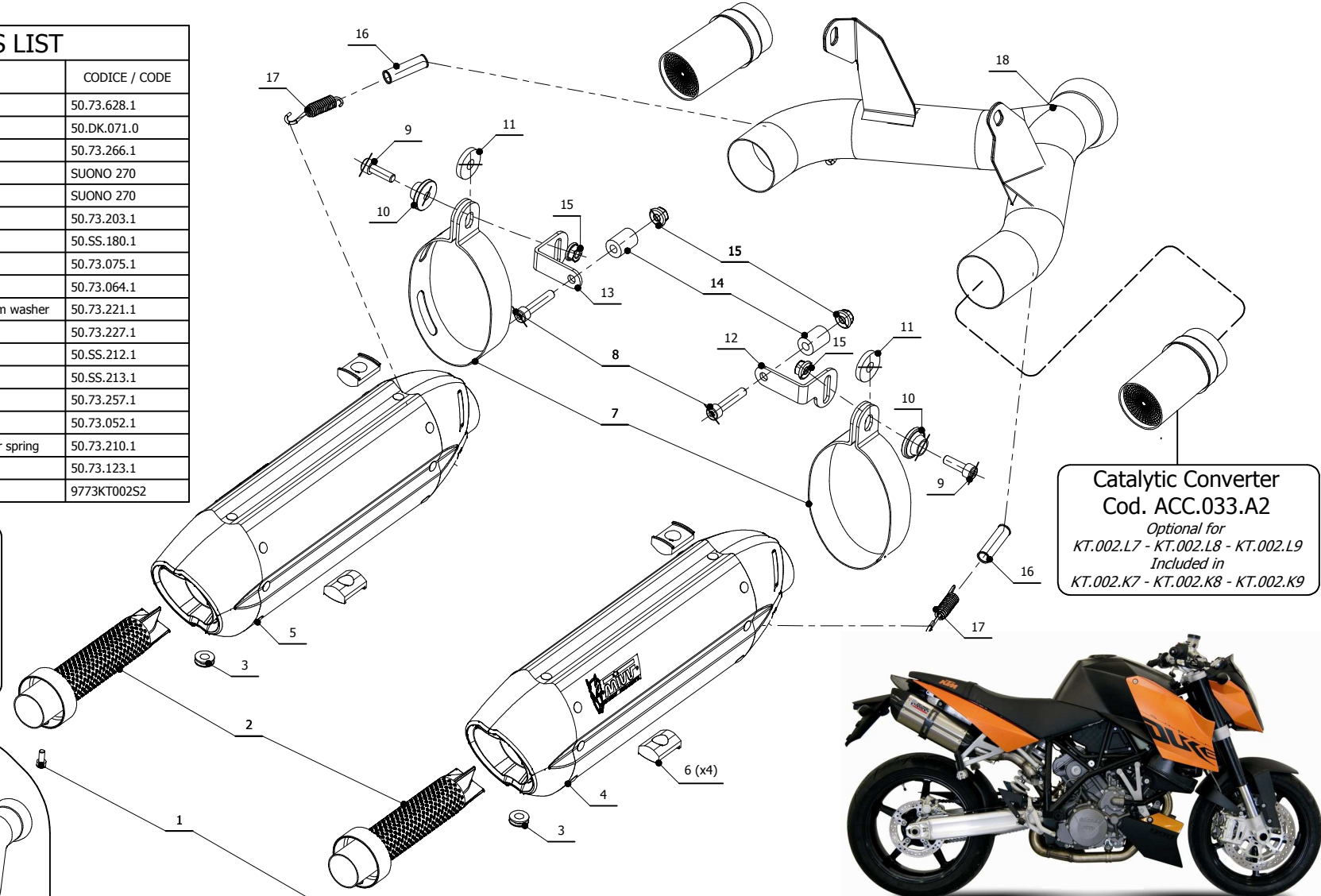
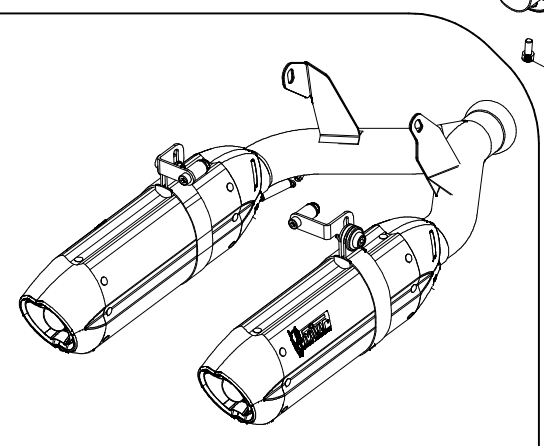
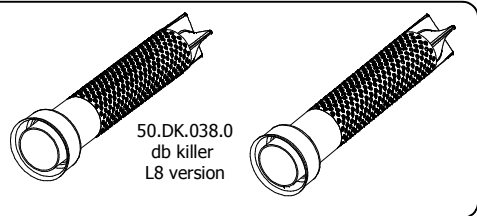
LINE SLIP ON

MUFFLER SUONO

SCHEMATIC

ELENCO PARTI / PARTS LIST

#	QTÀ / QTY	DESCRIZIONE / DESCRIPTION	CODICE / CODE
1	2	Vite M5x12 / Screw M5 x 12	50.73.628.1
2	2	Db Killer forato / Drilled DB killer	50.DK.071.0
3	2	Tappo in gomma / Rubber stopper	50.73.266.1
4	1	Silenziatore destro / Right muffler	SUONO 270
5	1	Silenziatore sinistro / Left muffler	SUONO 270
6	4	Tassello grande / Rubber big block	50.73.203.1
7	2	Staffa in carbonio / Carbon fiber bracket	50.SS.180.1
8	2	Vite M8x40 / Screw M8x40	50.73.075.1
9	2	Vite M8x25 / Screw M8x25	50.73.064.1
10	2	Rondella in alluminio nera / Black aluminium washer	50.73.221.1
11	2	Rondella in gomma / Rubber washer	50.73.227.1
12	1	Staffa destra / Right bracket	50.SS.212.1
13	1	Staffa sinistra / Left bracket	50.SS.213.1
14	2	Bussola in gomma / Rubber block	50.73.257.1
15	4	Dado M8 flangiato / Flanged nut M8	50.73.052.1
16	2	Tube in gomma per molla / Rubber pipe for spring	50.73.210.1
17	2	Molla corta / Short Spring	50.73.123.1
18	1	Tube di raccordo / Link pipe	9773KT002S2



Catalytic Converter
Cod. ACC.033.A2
Optional for
KT.002.L7 - KT.002.L8 - KT.002.L9
Included in
KT.002.K7 - KT.002.K8 - KT.002.K9



APPLICAZIONI / APPLICATIONS

CODICE / CODE	SILENZIATORE / MUFFLER	TUBO / PIPE	FASCETTA / CLAMP	NOTE
KT.002.L7 KT.002.L8 KT.002.L9	INOX (COPPE CARBONIO) / ST. STEEL (CARBON CAPS) TITANIO (COPPE CARBONIO) / TITANIUM (CARBON CAPS) STEEL BLACK	INOX / ST. STEEL	CARBONIO / CARBON FIBER	CATALYTIC CONVERTER NOT INCLUDED
KT.002.K7 KT.002.K8 KT.002.K9	INOX (COPPE CARBONIO) / ST. STEEL (CARBON CAPS) TITANIO (COPPE CARBONIO) / TITANIUM (CARBON CAPS) STEEL BLACK	INOX / ST. STEEL	CARBONIO / CARBON FIBER	CATALYTIC CONVERTER INCLUDED