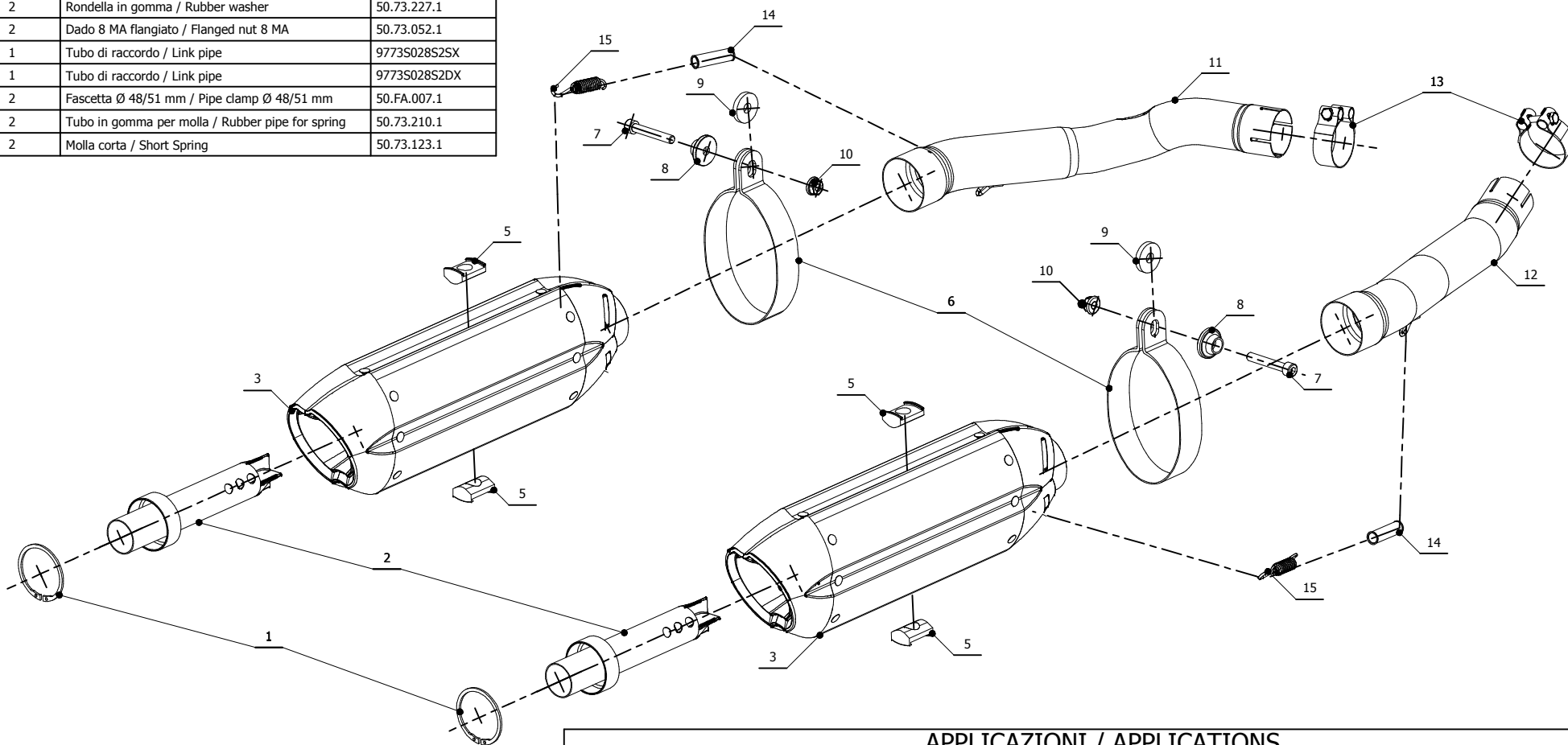


**ELENCO PARTI / PARTS LIST**

#	QTÀ / QTY	DESCRIZIONE / DESCRIPTION	CODICE / CODE
1	2	Anello Seger / Seger ring	50.73.218.1
2	2	DB killer / DB killer	50.DK.024.0
3	2	Silenziatore / Muffler	SUONO
4			
5	4	Tassello grande / Rubber big block	50.73.203.1
6	2	Staffa in carbonio / Carbon fiber bracket	50.SS.180.1
7	2	Vite M8x50 / Screw M8x50	50.73.074.1
8	2	Rondella in alluminio nera / Black aluminium washer	50.73.221.1
9	2	Rondella in gomma / Rubber washer	50.73.227.1
10	2	Dado 8 MA flangiato / Flanged nut 8 MA	50.73.052.1
11	1	Tubo di raccordo / Link pipe	9773S028S2SX
12	1	Tubo di raccordo / Link pipe	9773S028S2DX
13	2	Fascetta Ø 48/51 mm / Pipe clamp Ø 48/51 mm	50.FA.007.1
14	2	Tubo in gomma per molla / Rubber pipe for spring	50.73.210.1
15	2	Molla corta / Short Spring	50.73.123.1


**APPLICAZIONI / APPLICATIONS**

CODICE / CODE	TUBO / PIPE	SILENZIATORE / MUFFLER	FASCETTA / CLAMP
S.028.L7	INOX / ST. STEEL	CARBONIO E TITANIO / CARBON FIBER AND TITANIUM	CARBONIO / CARBON FIBER
S.028.L9	INOX / ST. STEEL	CARBONIO (COPPE CARBONIO) / CARBON (CARBON CAPS)	CARBONIO / CARBON FIBER