



**MODEL** HONDA CBR 600 F

**YEAR** 2001 - 2010

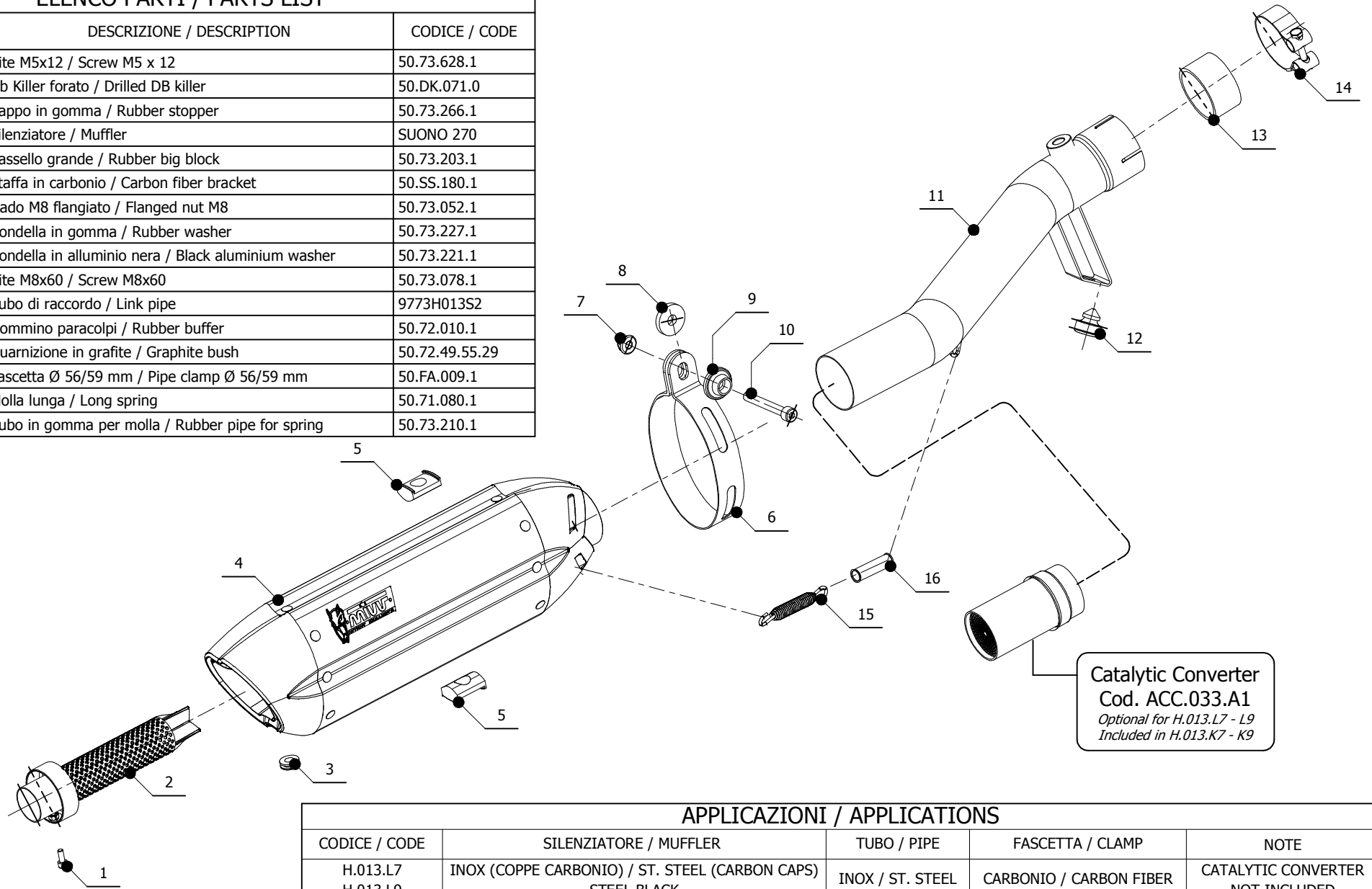
**LINE** SLIP ON

**MUFFLER** SUONO

**SCHEMATIC**

**ELENCO PARTI / PARTS LIST**

#	QTÀ / QTY	DESCRIZIONE / DESCRIPTION	CODICE / CODE
1	1	Vite M5x12 / Screw M5 x 12	50.73.628.1
2	1	Db Killer forato / Drilled DB killer	50.DK.071.0
3	1	Tappo in gomma / Rubber stopper	50.73.266.1
4	1	Silenziatore / Muffler	SUONO 270
5	2	Tassello grande / Rubber big block	50.73.203.1
6	1	Staffa in carbonio / Carbon fiber bracket	50.SS.180.1
7	1	Dado M8 flangiato / Flanged nut M8	50.73.052.1
8	1	Rondella in gomma / Rubber washer	50.73.227.1
9	1	Rondella in alluminio nera / Black aluminium washer	50.73.221.1
10	1	Vite M8x60 / Screw M8x60	50.73.078.1
11	1	Tubo di raccordo / Link pipe	9773H013S2
12	1	Gommino paracolpi / Rubber buffer	50.72.010.1
13	1	Guarnizione in grafite / Graphite bush	50.72.49.55.29
14	1	Fascetta Ø 56/59 mm / Pipe clamp Ø 56/59 mm	50.FA.009.1
15	1	Molla lunga / Long spring	50.71.080.1
16	1	Tubo in gomma per molla / Rubber pipe for spring	50.73.210.1



**Catalytic Converter**  
**Cod. ACC.033.A1**  
*Optional for H.013.L7 - L9*  
*Included in H.013.K7 - K9*

**APPLICAZIONI / APPLICATIONS**

CODICE / CODE	SILENZIATORE / MUFFLER	TUBO / PIPE	FASCETTA / CLAMP	NOTE
H.013.L7 H.013.L9	INOX (COPPE CARBONIO) / ST. STEEL (CARBON CAPS) STEEL BLACK	INOX / ST. STEEL	CARBONIO / CARBON FIBER	CATALYTIC CONVERTER NOT INCLUDED
H.013.K7 H.013.K9	INOX (COPPE CARBONIO) / ST. STEEL (CARBON CAPS) STEEL BLACK	INOX / ST. STEEL	CARBONIO / CARBON FIBER	CATALYTIC CONVERTER INCLUDED