



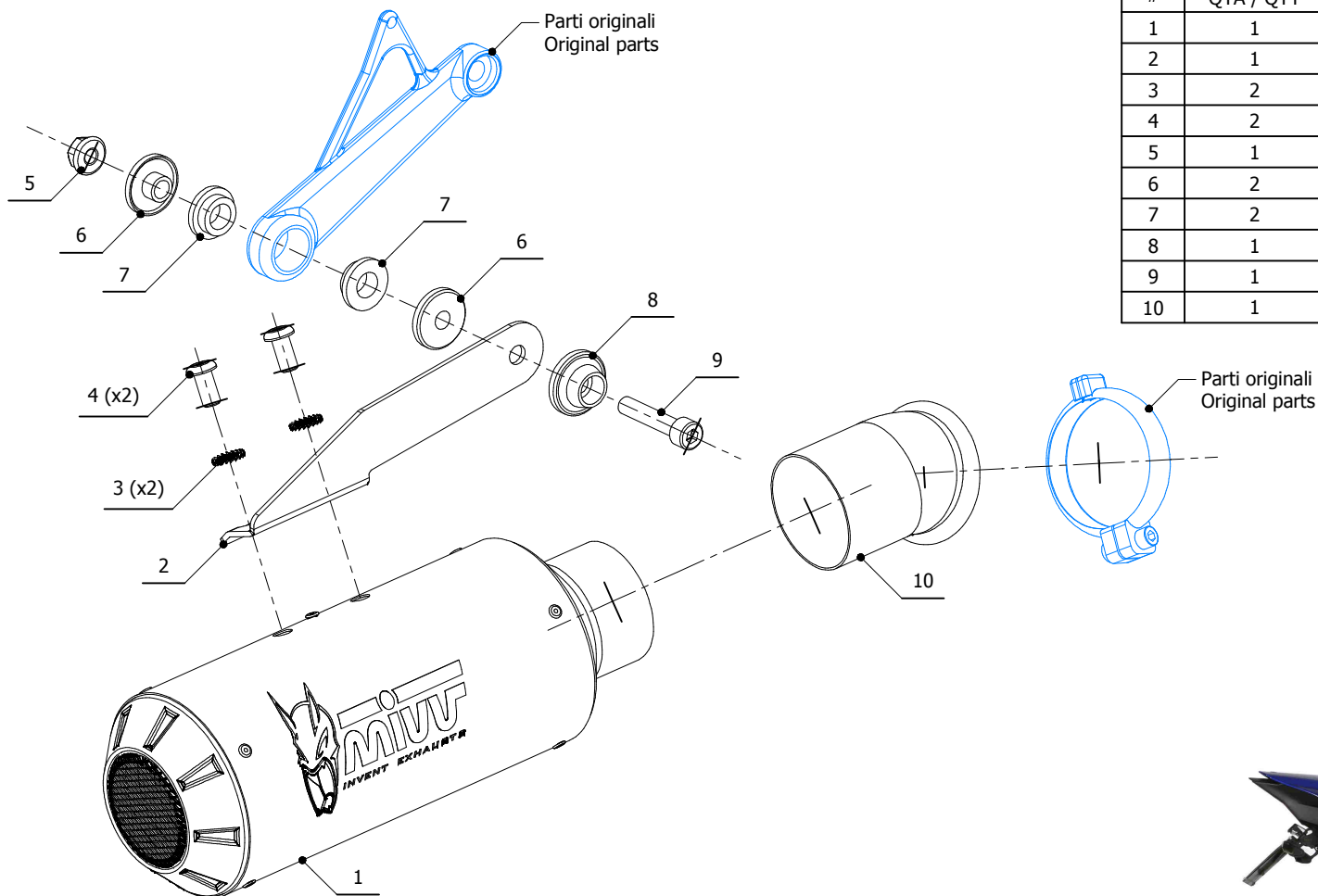
MODEL YAMAHA YZF R1

YEAR 2015 -->

LINE SLIP ON

MUFFLER M3

SCHEMATIC



| ELENCO PARTI / PARTS LIST | | | |
|---------------------------|-----------|---|---------------|
| # | QTÀ / QTY | DESCRIZIONE / DESCRIPTION | CODICE / CODE |
| 1 | 1 | Silenziatore / Muffler | M3 Øi 55 |
| 2 | 1 | Staffa / Bracket | 50.SS.1150.0 |
| 3 | 2 | Rondella di sicurezza / Safety washer | 50.73.604.1 |
| 4 | 2 | Vite M8 x 16 / Screw M8 x 16 | 50.73.098.1 |
| 5 | 1 | Dado M8 flangiato / Flanged nut M8 | 50.73.393.1 |
| 6 | 2 | Boccola / Bush | 50.73.381.1 |
| 7 | 2 | Silentblock / Silentblock | 50.73.380.1 |
| 8 | 1 | Rondella in alluminio nera / Black aluminium washer | 50.73.221.1 |
| 9 | 1 | Vite M8x40 / Screw M8x40 | 50.73.075.1 |
| 10 | 1 | Tubo di raccordo / Link pipe | 9773Y050S2 |



APPLICAZIONI / APPLICATIONS

| CODICE / CODE | SILENZIATORE / MUFFLER | LOGO | TUBO / PIPE |
|---------------|-------------------------|-----------------|------------------|
| Y.050.LM3B | STEEL BLACK | LASER | INOX / ST. STEEL |
| Y.050.LM3C | CARBONIO / CARBON FIBER | ALUMINIUM LABEL | |
| Y.050.LM3X | INOX / ST. STEEL | LASER | |

