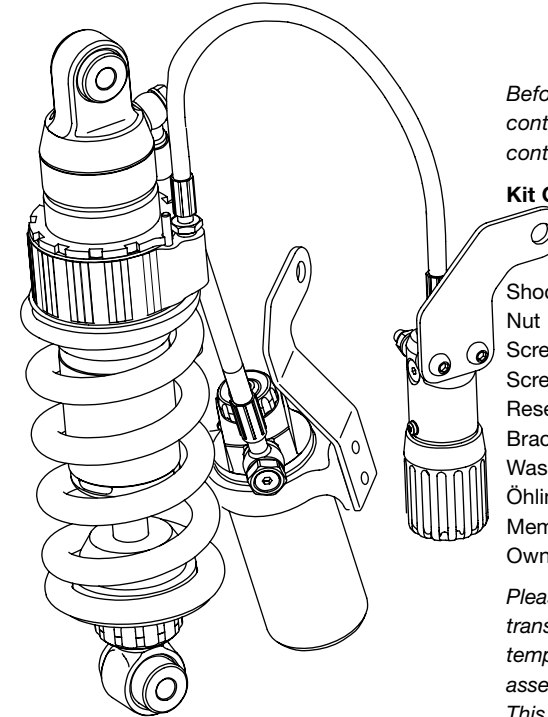
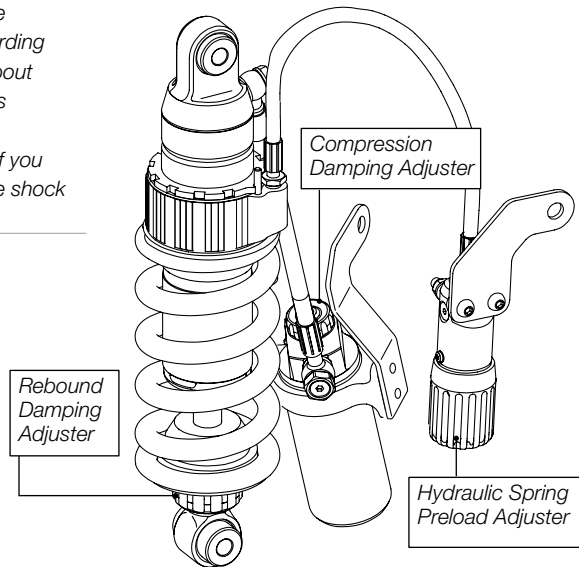


Adjustments

⚠ Warning!

Before riding, always make sure that the basic settings made by Öhlins are according to recommended Set-up Data. Read about adjustments and setting up in the Öhlins Owner's Manual before you make any adjustments. Contact an Öhlins dealer if you have any questions about setting up the shock absorber.

Öhlins Shock Absorber S46HR1C1S HO 808



Before installing this product, check the contents of the kit. If anything is missing, please contact your nearest Öhlins dealer.

Kit Contents

	Part No.	Pcs.
Shock abs S46HR1C1S	HO 808	1
Nut	00430-04	3
Screw MC6S 5x16	01046-18	2
Screw MC6S 5x22	01046-26	1
Reservoir bracket, carbon	05378-10	1
Bracket	21617-02	1
Washer	21617-03	2
Öhlins Sticker	00192-01	2
Memo Notes Sticker	01180-01	1
Owner's Manual	07241-02	1

Please note that during storage and transportation, especially at high ambient temperature, some of the oil and grease used for assembling may leak and stain the packaging. This is in no way detrimental to the product, wipe off the excessive oil/grease with a cloth.

⚠ Warning!

Before installing this product, read the Öhlins Owner's Manual. The shock absorber is an important part of your vehicle and will affect the stability.

Set-up Data

Recommended set-up

Rebound	18 clicks
Compression	16 clicks
Spring Preload	12 mm

Spring

Part No.	Rate
01093-64	160N/mm
Free spring length	150 mm

Shock Absorber Data

Length	309,5 mm
Stroke	47,5 mm

Öhlins products are subject to continuous improvement and development, therefore, although these instructions include the most up-to-date information available at the time of printing, minor updates may occur.

To find the latest information contact your Öhlins distributor. Please consult your Öhlins dealer if you have any questions regarding the contents in this document.

Part no. HO808_0
Issued 2008-12-17



© Öhlins Racing AB. All rights reserved. Any reprinting or unauthorized use without the written permission of Öhlins Racing AB is prohibited.

Öhlins Racing AB
Box 722
S-194 27 Upplands Väsby, Sweden
Phone +46 8 590 025 00
fax +46 8 590 025 80



www.ohlins.com

Shock Absorber for Honda CB1000R HO 808

Mounting Instructions



⚠ Warning!

It is advisable to have an Öhlins dealer install the shock absorber.

When installing, consult your Vehicle Service Manual.

1
Put the motorcycle on a workstand so that the rear wheel barely touches the ground.

⚠ Warning!

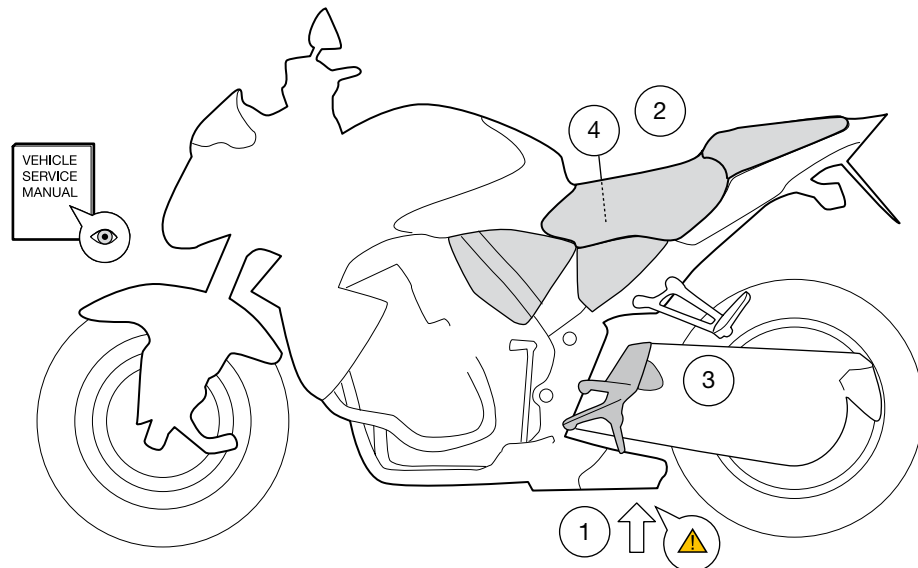
Make sure the vehicle is securely supported so that it will not tip.

2
Remove the seat and side covers.

3
Remove the left foot peg and the small plastic chain guard.

4
Loosen the charging regulator (4 screws for the bracket under the seat.)

5
Remove the shock mounting bolts and remove the standard shock absorber upward.



👁 Note!

Before installing the Öhlins shock absorber clean the vehicle thoroughly.

6
Install the Öhlins shock absorber. The reservoir on the right side of the vehicle and the preload adjuster to the left.

7
Reinstall the shock mounting bolts, but do not tighten yet.

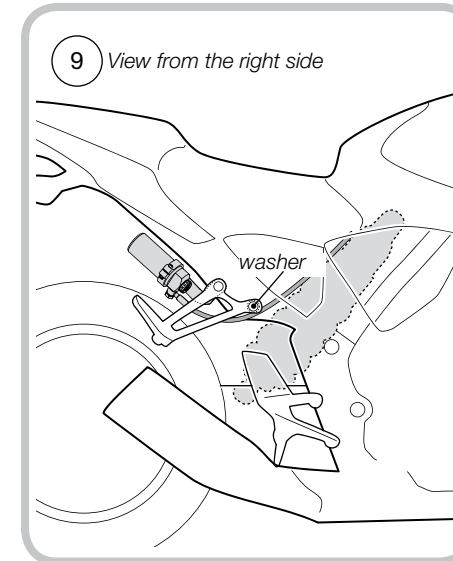
👁 Note!

Lower the motorcycle so that the shock absorber is slightly compressed, before tightening the screws.

8
Tighten the shock bolts to the correct torque according to the Honda specs.

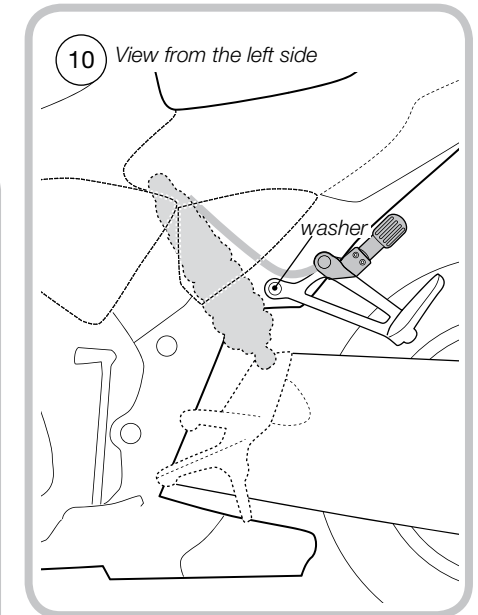
9

Install the reservoir on the right side with the brackets and screws included in the kit according to the sketch. Use a washer to compensate for the thickness of the bracket at the front attachment of the passenger foot peg on both left and right sides. (Washers provided in this kit).



10

Install the preload adjuster on the left side according to the sketch.



11

Reinstall the left foot peg, charging regulator, chain cover, side covers and seat. Make sure that all removed parts are reinstalled in the same way as they were before the installation of the Öhlins shock absorber.

👉 Caution!

Make sure that all screws are tightened to the correct torque and that nothing fouls or restricts movement of the shock absorber when the suspension is fully compressed or extended.