



MODEL KAWASAKI ZX-10 R

YEAR 2011-->

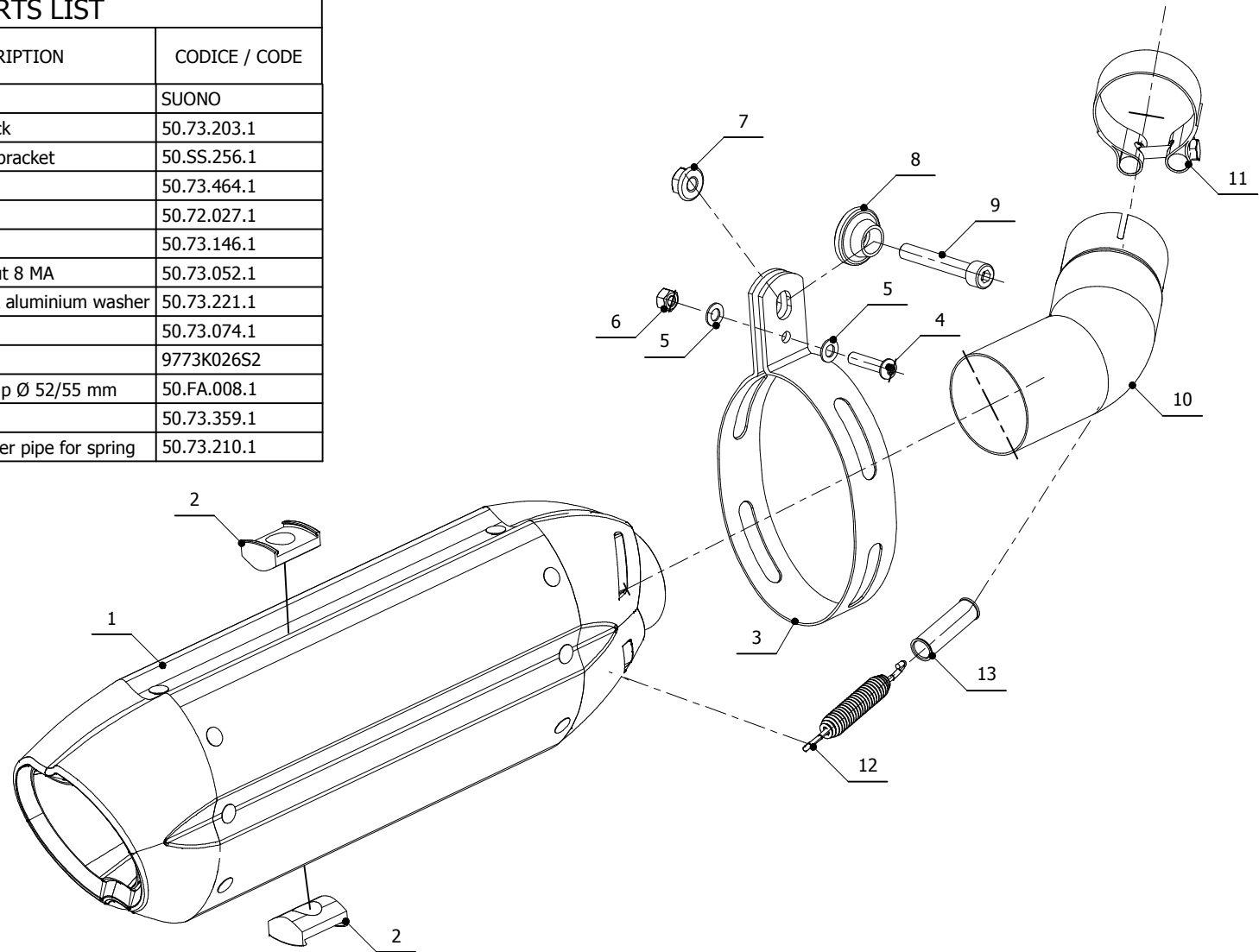
LINE SPORT

MUFFLER SUONO

SCHEMATIC

ELENCO PARTI / PARTS LIST

| # | QTÀ / QTY | DESCRIZIONE / DESCRIPTION | CODICE / CODE |
|----|-----------|---|---------------|
| 1 | 1 | Silenziatore / Muffler | SUONO |
| 2 | 2 | Tassello grande / Rubber big block | 50.73.203.1 |
| 3 | 1 | Staffa in carbonio / Carbon fiber bracket | 50.SS.256.1 |
| 4 | 1 | Vite M6 x 25 / Screw M6 x 25 | 50.73.464.1 |
| 5 | 2 | Rondella M6 / Washer M6 | 50.72.027.1 |
| 6 | 1 | Dado M6 / Nut M6 | 50.73.146.1 |
| 7 | 1 | Dado 8 MA flangiato / Flanged nut 8 MA | 50.73.052.1 |
| 8 | 1 | Rondella in alluminio nera / Black aluminium washer | 50.73.221.1 |
| 9 | 1 | Vite M8x50 / Screw M8x50 | 50.73.074.1 |
| 10 | 1 | Tubo di raccordo / Link pipe | 9773K026S2 |
| 11 | 1 | Fascetta Ø 52/55 mm / Pipe clamp Ø 52/55 mm | 50.FA.008.1 |
| 12 | 1 | Molla media / Middle spring | 50.73.359.1 |
| 13 | 1 | Tubo in gomma per molla / Rubber pipe for spring | 50.73.210.1 |



APPLICAZIONI / APPLICATIONS

| CODICE / CODE | TUBO / PIPE | SILENZIATORE / MUFFLER | FASCETTA / CLAMP |
|---------------|------------------|--|-------------------------|
| K.026.L7 | INOX / ST. STEEL | INOX (COPPE CARBONIO) / ST. STEEL (CARBON CAPS) | CARBONIO / CARBON FIBER |
| K.026.L9 | INOX / ST. STEEL | CARBONIO (COPPE CARBONIO) / CARBON (CARBON CAPS) | CARBONIO / CARBON FIBER |