



MODEL BMW R 1200 R

YEAR 2008

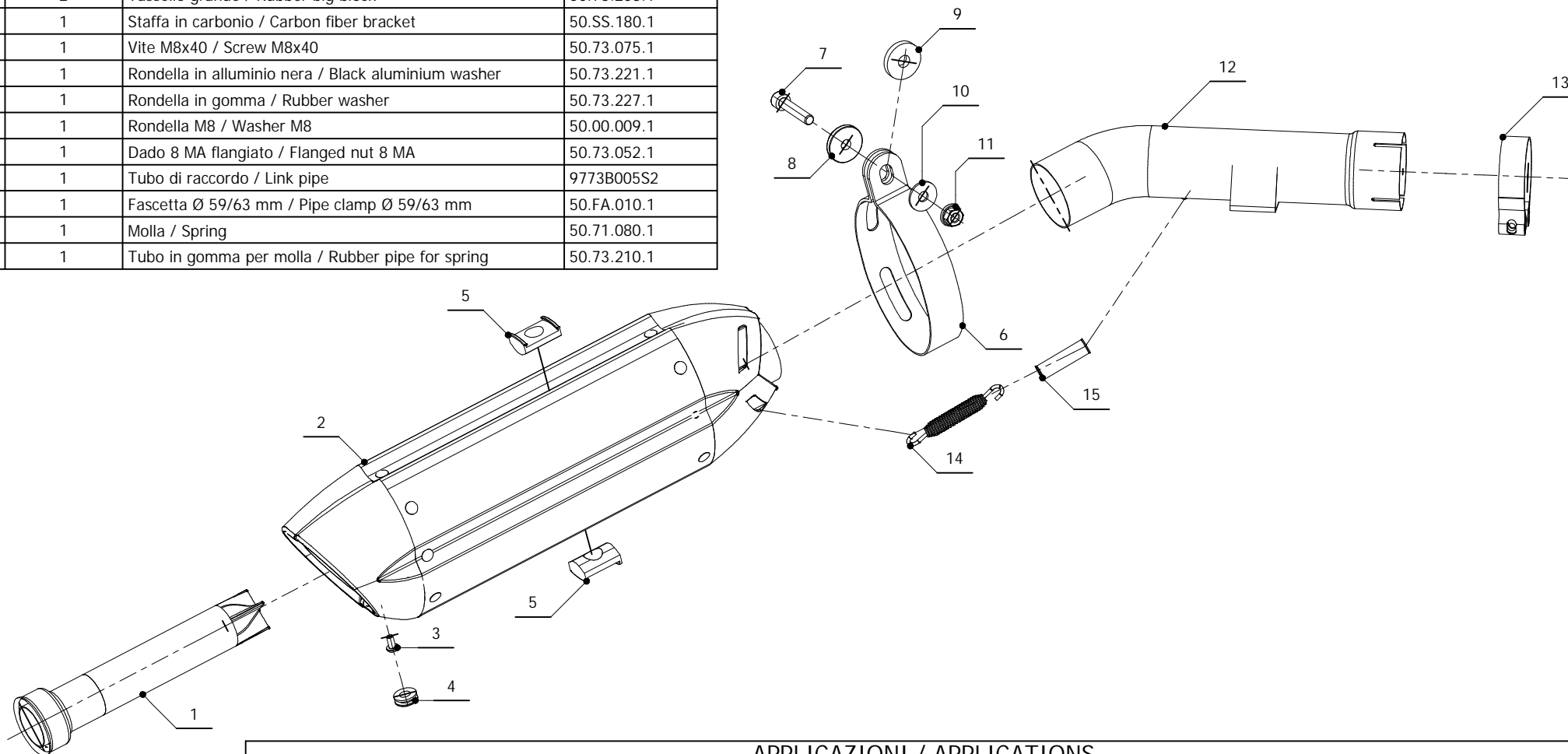
LINE SPORT

MUFFLER SUONO FULL TITANIUM

SCHEMATIC

ELENCO PARTI / PARTS LIST

#	QTA / QTY	DESCRIZIONE / DESCRIPTION	CODICE / CODE
1	1	Db Killer forato / Drilled DB killer	50.DK.038.0
2	1	Silenziatore / Muffler	SUONO
3	1	Vite M5 x 8 / Screw M5 x 8	50.73.233.1
4	1	Tappo in gomma / Rubber stopper	50.73.266.1
5	2	Tassello grande / Rubber big block	50.73.203.1
6	1	Staffa in carbonio / Carbon fiber bracket	50.SS.180.1
7	1	Vite M8x40 / Screw M8x40	50.73.075.1
8	1	Rondella in alluminio nera / Black aluminium washer	50.73.221.1
9	1	Rondella in gomma / Rubber washer	50.73.227.1
10	1	Rondella M8 / Washer M8	50.00.009.1
11	1	Dado 8 MA flangiato / Flanged nut 8 MA	50.73.052.1
12	1	Tubo di raccordo / Link pipe	9773B005S2
13	1	Fascetta Ø 59/63 mm / Pipe clamp Ø 59/63 mm	50.FA.010.1
14	1	Molla / Spring	50.71.080.1
15	1	Tubo in gomma per molla / Rubber pipe for spring	50.73.210.1



APPLICAZIONI / APPLICATIONS

CODICE / CODE	TUBO / PIPE	SILENZIATORE / MUFFLER	FASCETTA / CLAMP
B.005.L8	TITANIO / TITANIUM	TITANIO (COPPE CARBONIO) / TITANIUM (CARBON CAPS)	CARBONIO / CARBON FIBER